



120.5 MHz Narrow Bandpass Filter

Part Number: AE120B11489



ANATECH ELECTRONICS INC
RF & Microwave Filters & Products

Electrical Specifications

Center Frequency: 120.5 MHz
3 dB Bandwidth (BW): $F_0 \pm 0.5\text{MHz}$ (120-121 MHz)
Insertion Loss: 3.5 dB Max @ 120.5 MHz
Return Loss @ 120 MHz : 15 dB Min
Attenuation: > 18dBr @ 119 MHz & 122 MHz

Impedance: 50 Ohms
Power Handling: 25 W

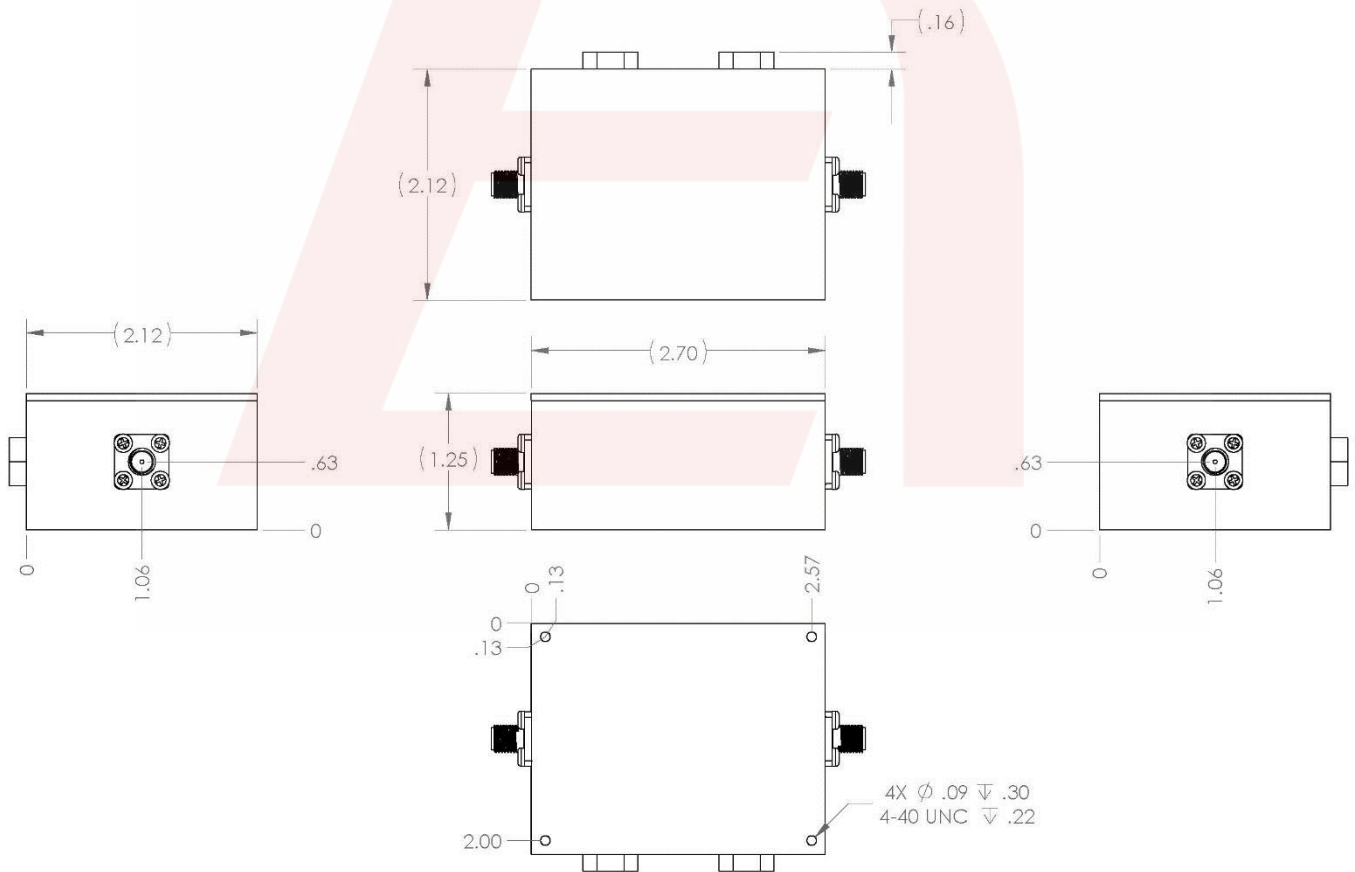
Mechanical

Connectors: N(F)
Dimensions: 2.70" X 2.12" X 1.25"
Mounting: 4-40 Threaded holes

Environmental

Operating Temperature: -20 to +70° C
Storage Temperature: -50 to +90° C

Outline Drawing:



DS-B11489-02192018-Rev1



Response Plot

