



Electrical Specifications

Center Frequency: 9562.5 MHz
Bandwidth: 125 MHz
Pass Band: 9500-9625 MHz
Insertion Loss: 1.5 dB Max
Return Loss: 12 dB Min
Attenuation: ≥40 dB @ 9125 MHz
 ≥40 dB @ 10000 MHz
 ≥50 dB @ 10400 MHz

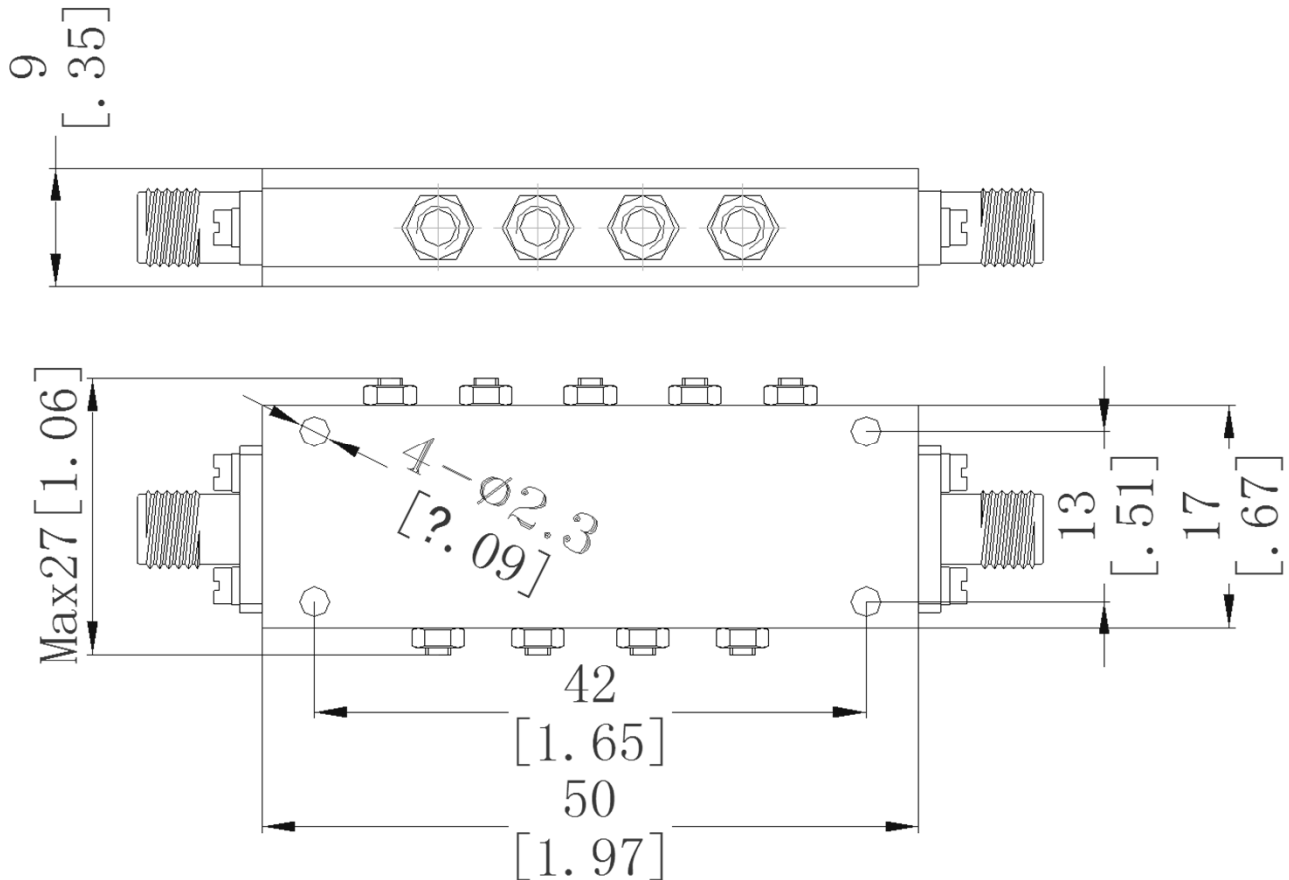
Mechanical

Connector Type: SMA (F)
Dimensions: 1.97 x 1.06 x 0.35 Inches

Environmental

Operating Temperature: -40 to +85° C
Storage Temperature: -50 to +95° C
Shock: 20 G. 11 ms
Vibration: 20 G. 5 to 200 MHz

Outline Drawing:





Response Plot:

