



Electrical Specifications

Cutoff Frequency (Fc): 210 MHz

1 dB Passband: 210-800 MHz

Insertion Loss : 1 dB Max.

Passband Return Loss: 14dB Min.

Rejection1: 20 dB Min. @ 200 MHz

Rejection2: 50 dB Min. @ 0-160 MHz

Mechanical

Mounting Method: Through Holes

Connector Type: SMA(F)

Dimensions: 4.0" x 1.125" x 0.75"

Environmental

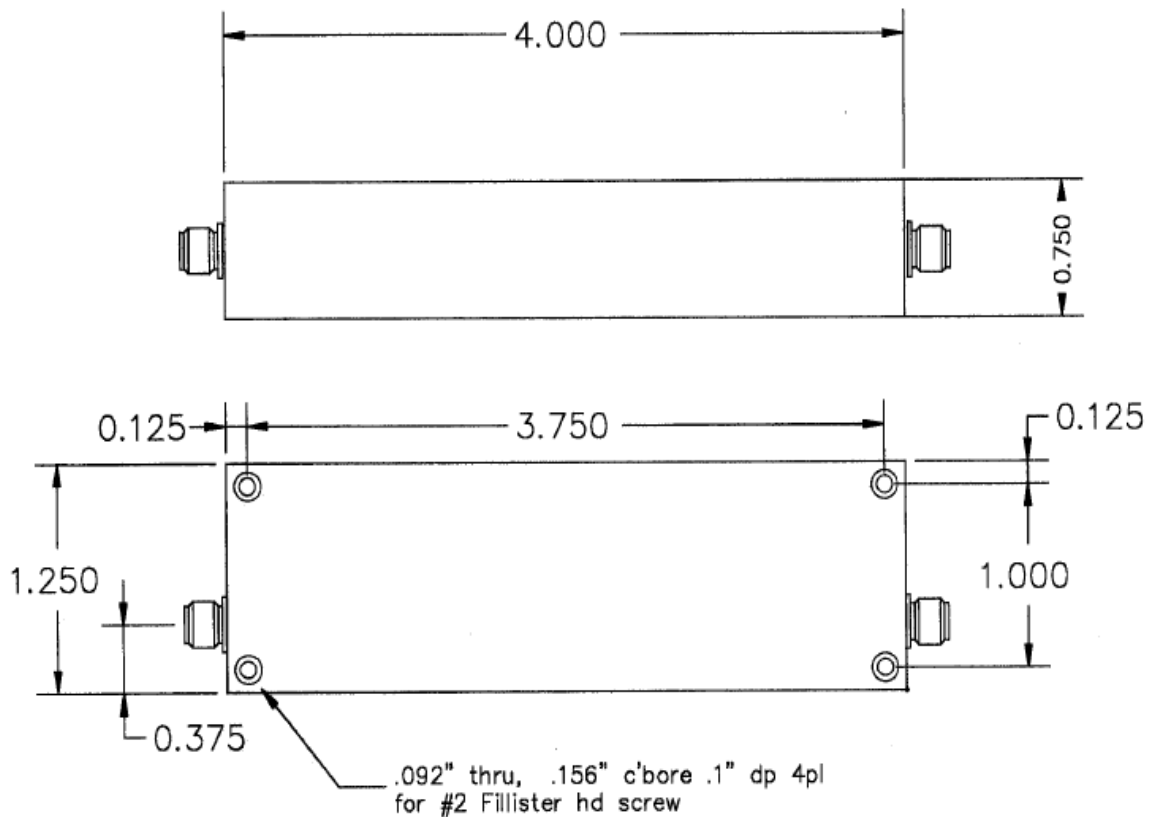
Operating Temperature: -25°C to +70°C

Storage Temperature: -60°C to +90°C

Shock: 10 G. 11ms

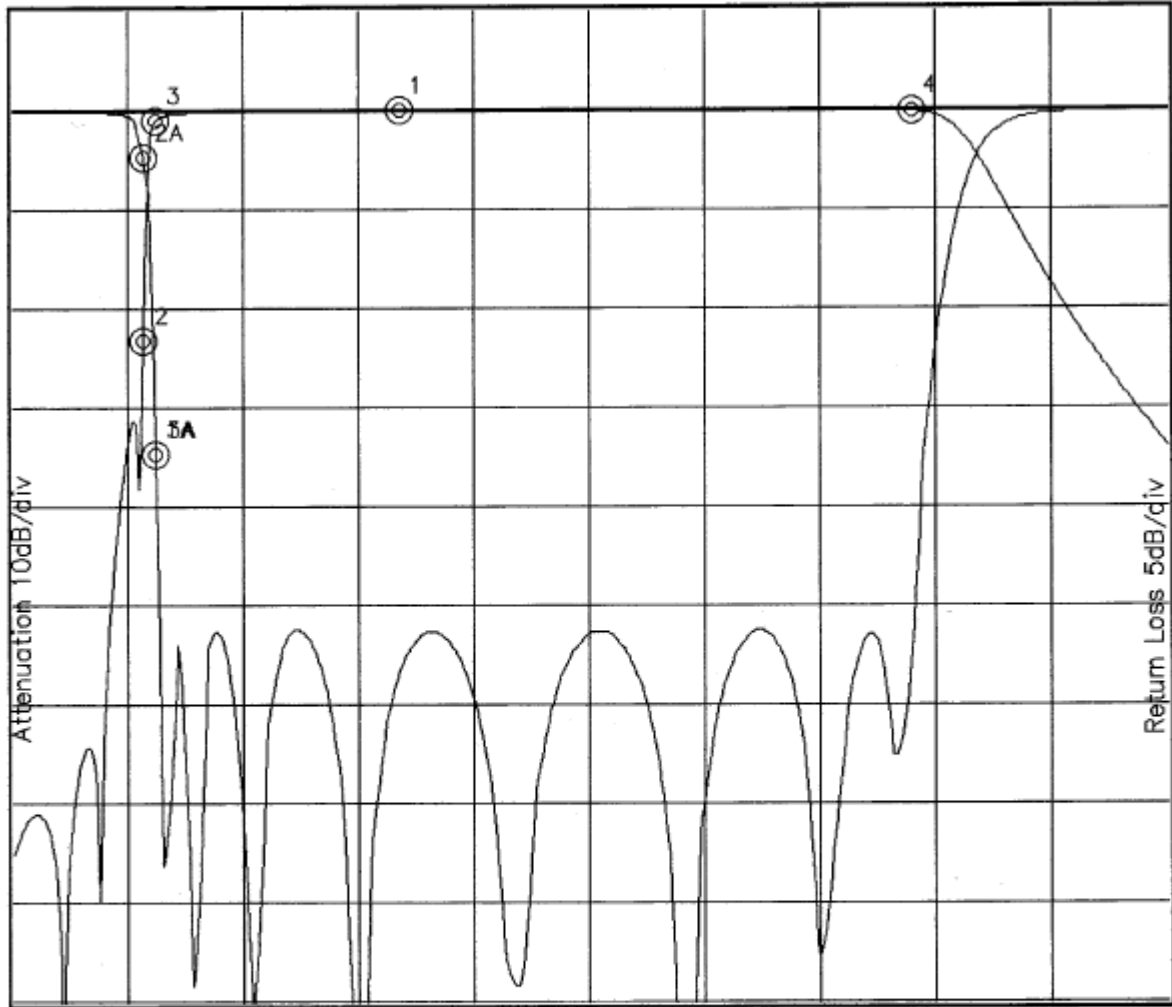
Vibration: 10 G. 5 to 200Hz

Outline Drawing:





Simulation Plot :



Attenuation Start: 100.0MHz Stop: 1000.0MHz Return Loss Start: 100.0MHz Stop: 1000.0MHz

Marker 1 Freq 400.96MHz Atten -0.103dB
Marker 2 Freq 200.32MHz Atten -23.490dB
Marker 3 Freq 210.50MHz Atten -1.019dB
Marker 4 Freq 800.80MHz Atten -0.254dB

Marker 1A Freq 210.50MHz Ret Loss -17.534dB
Marker 2A Freq 200.32MHz Ret Loss -2.406dB
Marker 3A Freq 210.50MHz Ret Loss -17.534dB