



GSM Band / 925-960 MHz LC Band Notch / Band Stop Filter for Outdoor

ANATECH ELECTRONICS INC
RF & Microwave Filters & Products

Part Number: AE942N2242-NMNF-O



Electrical Specifications

- Notch Center Frequency:** 942 MHz
- Notch Frequency range:** 925.2-960 MHz
- Notch Rejection:** ≥ 40 dB
- Passband low side of Notch:** 80-850 MHz
- Passband High side of Notch:** 1040-3800 MHz
- Insertion loss in Passband:** ≤ 2 dB
- Passband Edge Insertion loss1:** ≤ 3 dB @875 MHz
- Passband Edge Insertion loss2:** ≤ 3 dB @1000 MHz
- Impedance:** 50 Ohms
- Power Handling:** ≤ 2 Watts

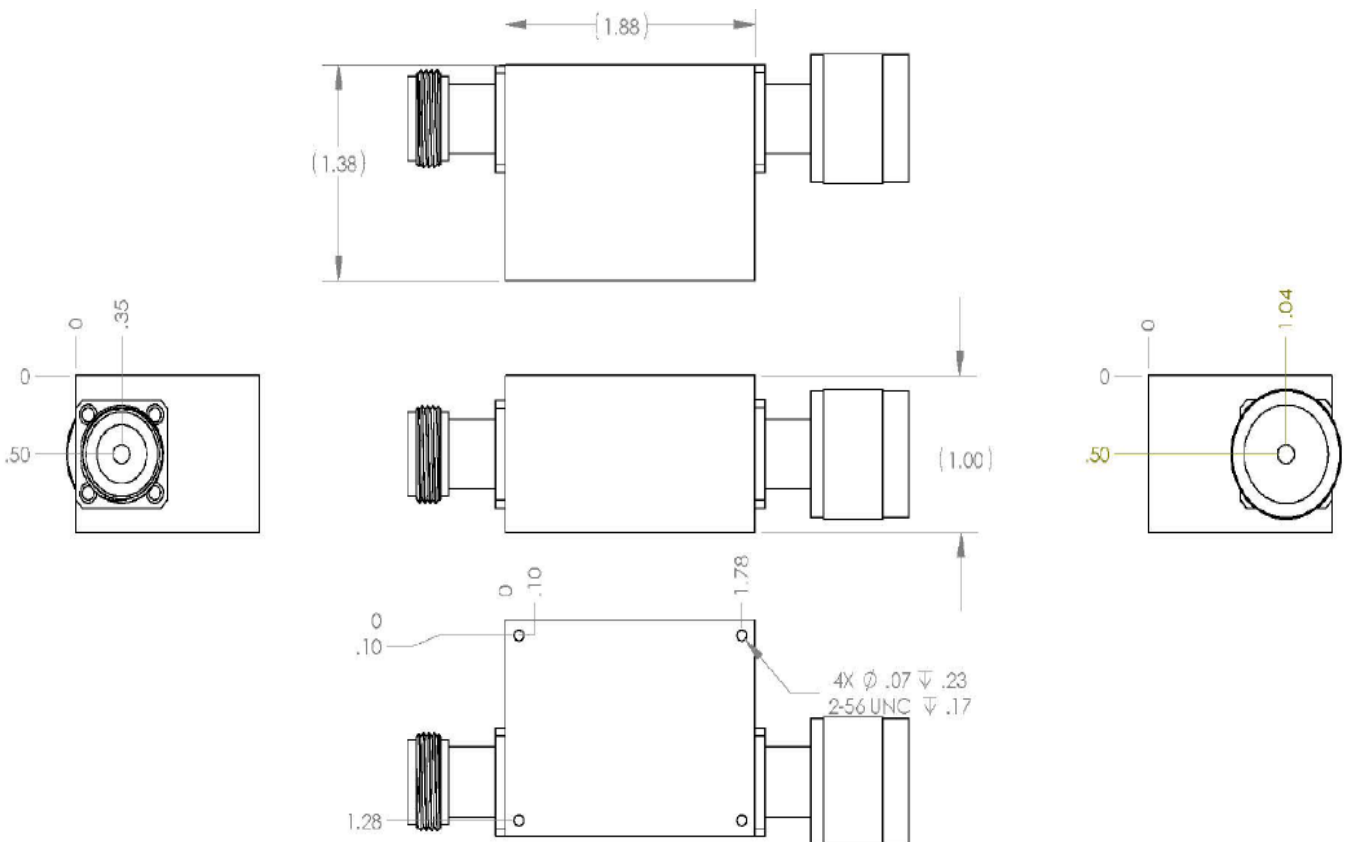
Mechanical

- Connector Type:** N-type (M) & N-type(F)
- Dimensions:** 1.88 X 1.38 X 1.00 in.

Environmental

- Operating Temperature:** -20°C to $+70^{\circ}\text{C}$
- Storage Temperature:** -40°C to $+85^{\circ}\text{C}$
- Shock:** 10 G. 11ms
- Vibration:** 10 G. 5 to 200Hz
- Weatherproof Rating:** IP67

Outline Drawing:



Tolerance: +/-0.01 inches [+/- 0.3mm]

Angles: +/- 1 Deg.

*Tolerance as shown unless otherwise specified in the datasheet electrical specification tables above.

*When max dimensions are called out the above tolerances do not apply as long as it is under the max call out.