



ANATECH ELECTRONICS INC
RF & Microwave Filters & Products

70 MHz LC Bandpass Filter

Part Number: AE70B10147



Electrical Specifications

Center Frequency: 70 MHz
Bandwidth: 4 MHz
Passband : 68.4 MHz to 72.4 MHz
Insertion Loss: ≤ 4.0dB @ 70 MHz
Return Loss: >14dB @ 68.4 MHz to 72.4 MHz
Rejection: >40dB @ 0-67 MHz
Rejection2: >45dB @ 75 MHz to 1000 MHz
Impedance: 50 Ohms

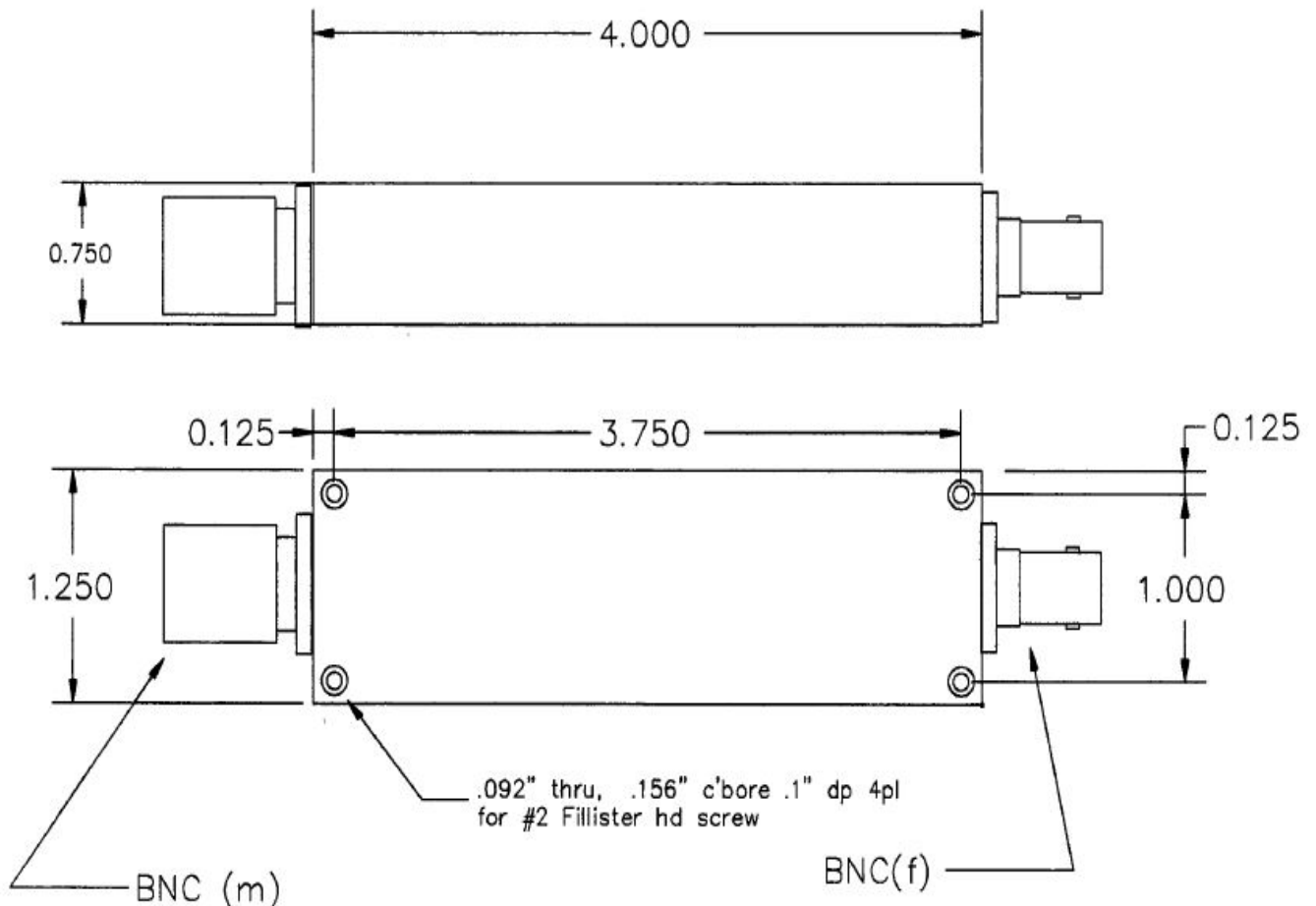
Mechanical

Mounting Method: Through Holes
Connector Type: BNC(M) & BNC(F)
Dimensions: 4.0" x 1.25" x 0.75" in.

Environmental

Operating Temperature: -25°C to +70°C
Storage Temperature: -40°C to +90°C
Shock: 10 G. 11ms
Vibration: 10 G. 5 to 200Hz

Outline Drawing:



989192



Response Plot:

