



ANATECH ELECTRONICS INC
RF & Microwave Filters & Products

60 MHz LC Bandpass Filter

Part Number: AE60B5051



Electrical Specifications

Center Frequency: 60 MHz
3-dB Bandwidth: 6 MHz
Insertion Loss: <3dB
Return Loss: >14dB
Impedance: 50 Ohms

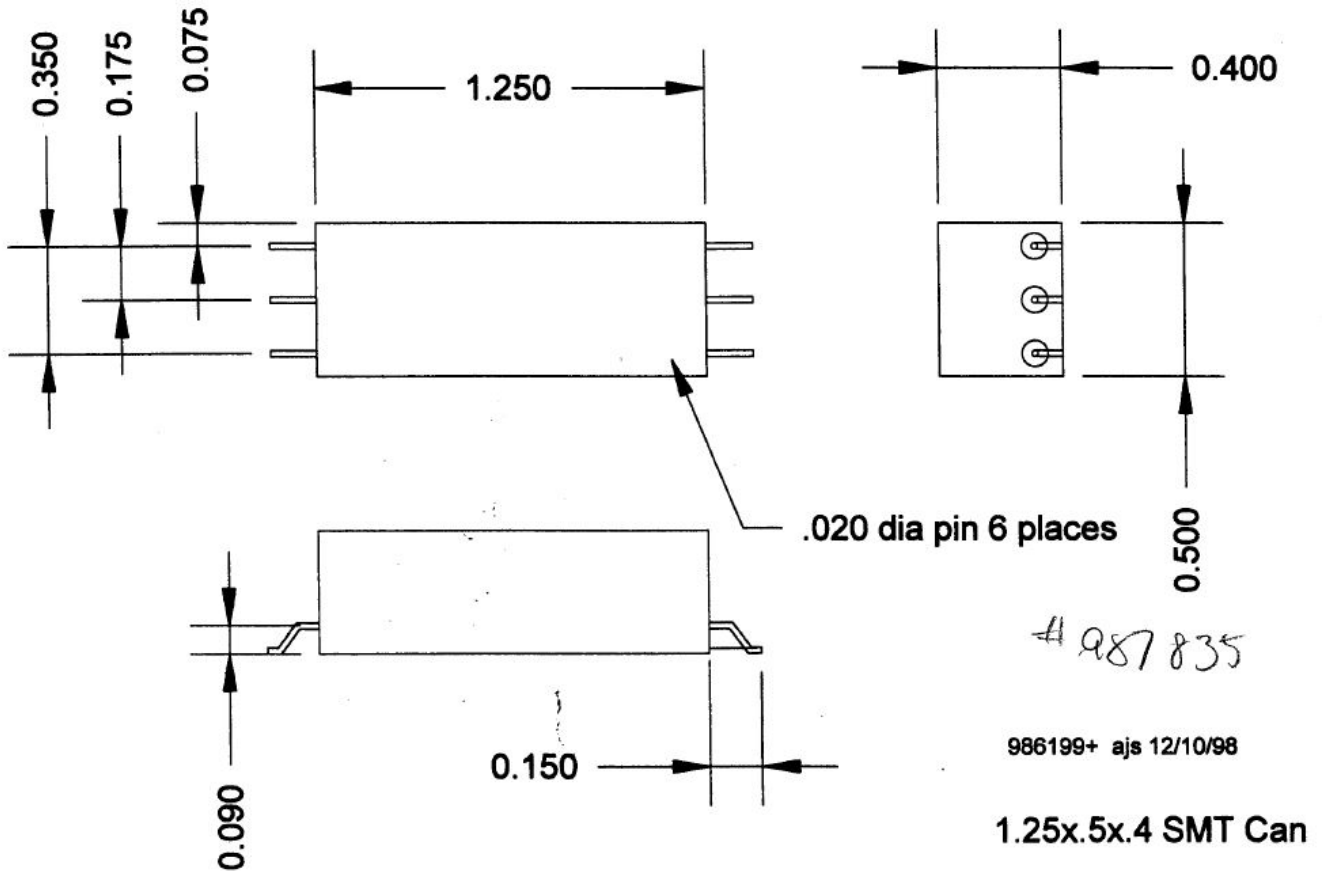
Mechanical

Connector Type: Surface-Mount
Dimensions: 1.25" x 0.5" x 0.4" in.

Environmental

Operating Temperature: -25°C to +70°C
Storage Temperature: -40°C to +90°C
Shock: 10 G. 11ms
Vibration: 10 G. 5 to 200Hz

Outline Drawing:



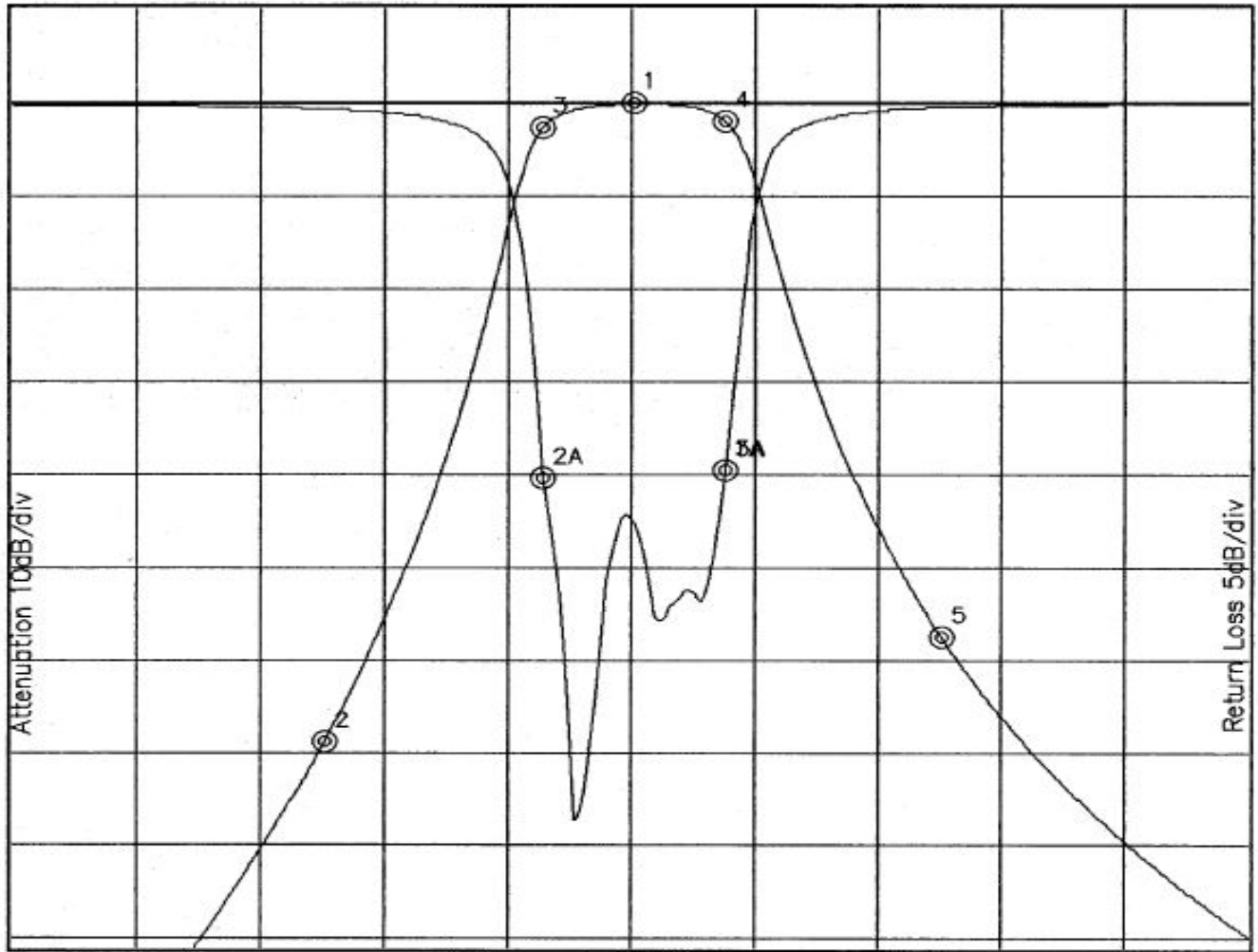


Response Plot:

B5051.lad

JUN 15, 1999

Attenuation/Return Loss



Attenuation Start: 40.0MHz Stop: 80.0MHz

Return Loss Start: 40.0MHz Stop: 80.0MHz

Offset -4.1304dB

Marker 1 Freq 60.032MHz Atten -0.029dB
 Marker 2 Freq 50.016MHz Atten -68.428dB
 Marker 3 Freq 57.060MHz Atten -2.641dB
 Marker 4 Freq 63.005MHz Atten -1.964dB
 Marker 5 Freq 70.048MHz Atten -57.270dB

Marker 1A Freq 63.005MHz Ret Loss -19.713dB
 Marker 2A Freq 57.060MHz Ret Loss -20.096dB
 Marker 3A Freq 63.005MHz Ret Loss -19.713dB