



# 4380-5020 MHz Cavity Bandpass Filter

Part Number: AB4700B1196



**ANATECH ELECTRONICS INC**  
RF & Microwave Filters & Products

## Electrical specifications

- Center Frequency:** 4700MHz
- Passband:** 4380-5020 MHz
- Passband Insertion Loss:** ≤1.0 dB (TYP: 0.7 dB)
- Passband Return Loss:** ≥15 dB
- Rejection:** ≥80 dB @ 5250-5280 MHz
- Power Handling:** 25 W
- Input / Output Impedance:** 50 Ohms

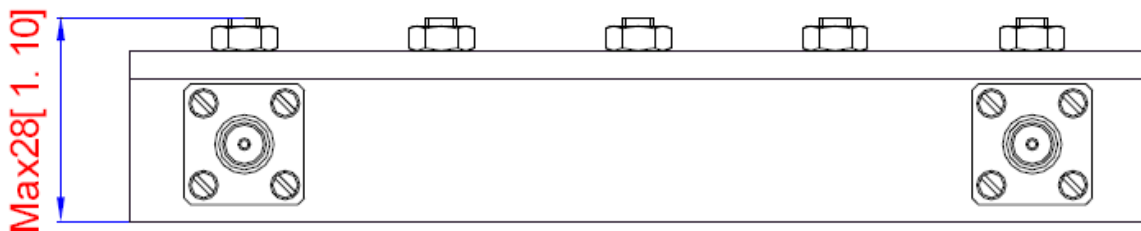
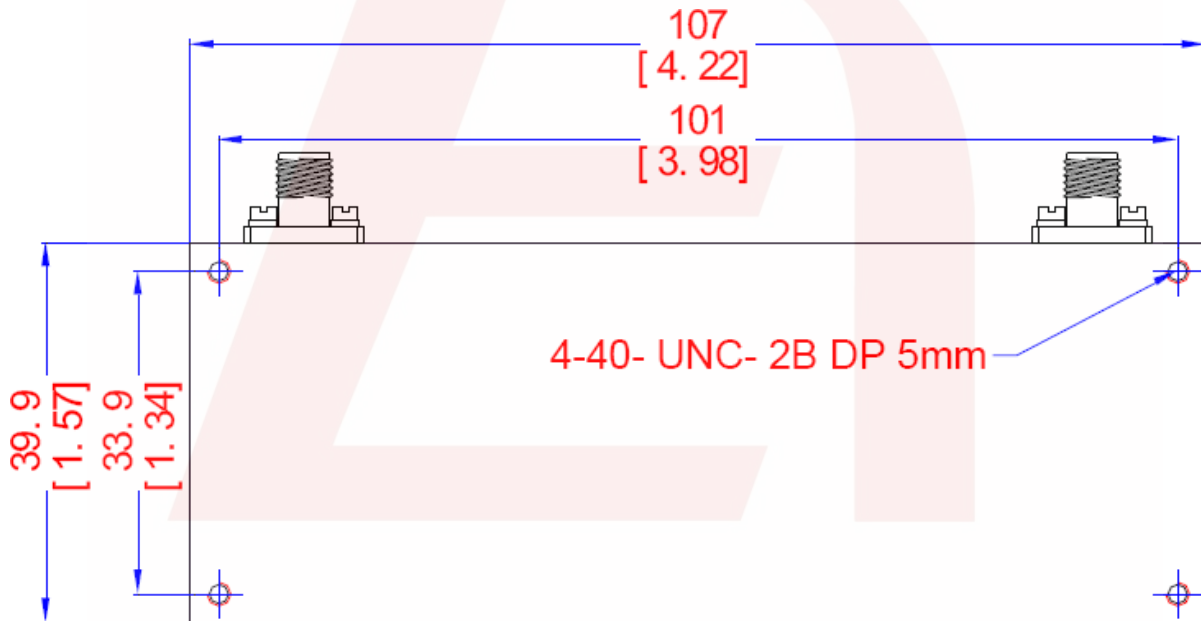
## Mechanical

- Connector Type:** SMA (F)
- Dimensions:** 4.22 x 1.57 x 1.10 inches

## Environmental

- Operating Temperature:** -45 to +85 deg. C
- Storage temperature:** -65 to +95 deg. C
- Shock:** 20 G's, ½ sine, 11ms
- Vibration:** 10 G's, 10-2000Hz
- Relative Humidity:** 0-95%

## Outline Drawing:



DS-B1196-03152018-Rev1



### Response Plot:

