



**Electrical specifications**

**Center Frequency:** 40 MHz  
**Insertion Loss @ 40 MHz:** <2 dB  
**Passband:** 39-41 MHz  
**Return Loss @ 39.25-40.75 MHz:** >14 dB  
**Rejection:** >50dB @ 0-34 MHz  
**Rejection 2:** >50dB @ 46-200 MHz  
**Power Handling:** 5W

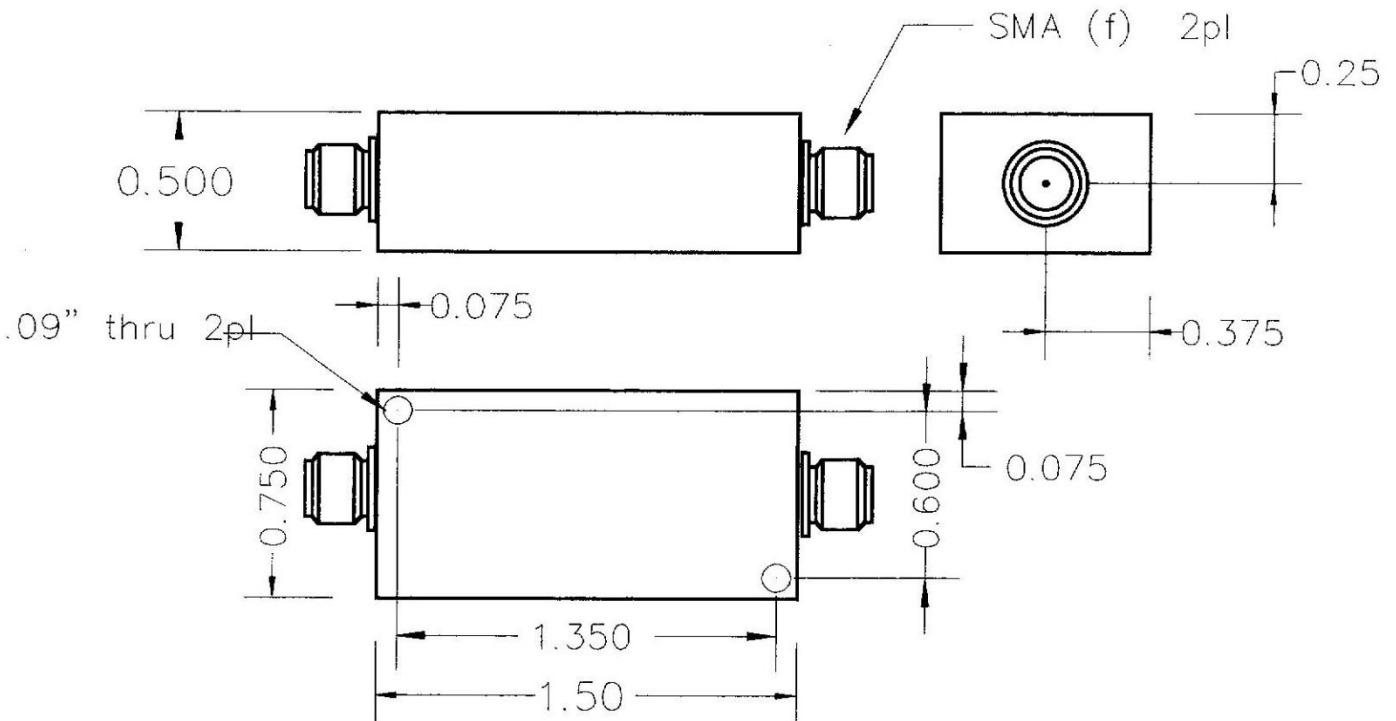
**Mechanical**

**Connector Type:** SMA (F)  
**Dimensions:** 1.50 x 0.75 x 0.5 inches

**Environmental**

**Operating Temperature:** -45 to +85 deg.C  
**Storage temperature:** -65 to +95 deg.C  
**Shock:** 20 G's, ½ sine, 11ms  
**Vibration:** 10 G's, 10-2000Hz  
**Relative Humidity:** 0-95%

**Outline Drawing:**





**Outline Drawing:**

