



Electrical Specifications

Center Frequency: 560 MHz
0.5 dB Bandwidth: $F_o \pm 2.0$ MHz
3.0 dB Bandwidth: $F_o \pm 4.0$ MHz with ± 0.2 dB Ripple Max
Insertion Loss: 5.0 dB Max at F_o
VSWR: 1.25:1 Max at $F_o \pm 4.0$ MHz
Phase Linearity: $\pm 3.0^\circ$ Max at $F_o \pm 4.0$ MHz
Stop Band Rejection:
 Offset -15 MHz & +20 MHz of F_o is 10 dB Min
 Offset -20 MHz & +30 MHz of F_o is 20 dB Min
 Offset -30 MHz & +40 MHz of F_o is 30 dB Min
 Offset -40 MHz & +65 MHz of F_o is 40 dB Min
 Offset -60 MHz & +90 MHz of F_o is 60 dB Min

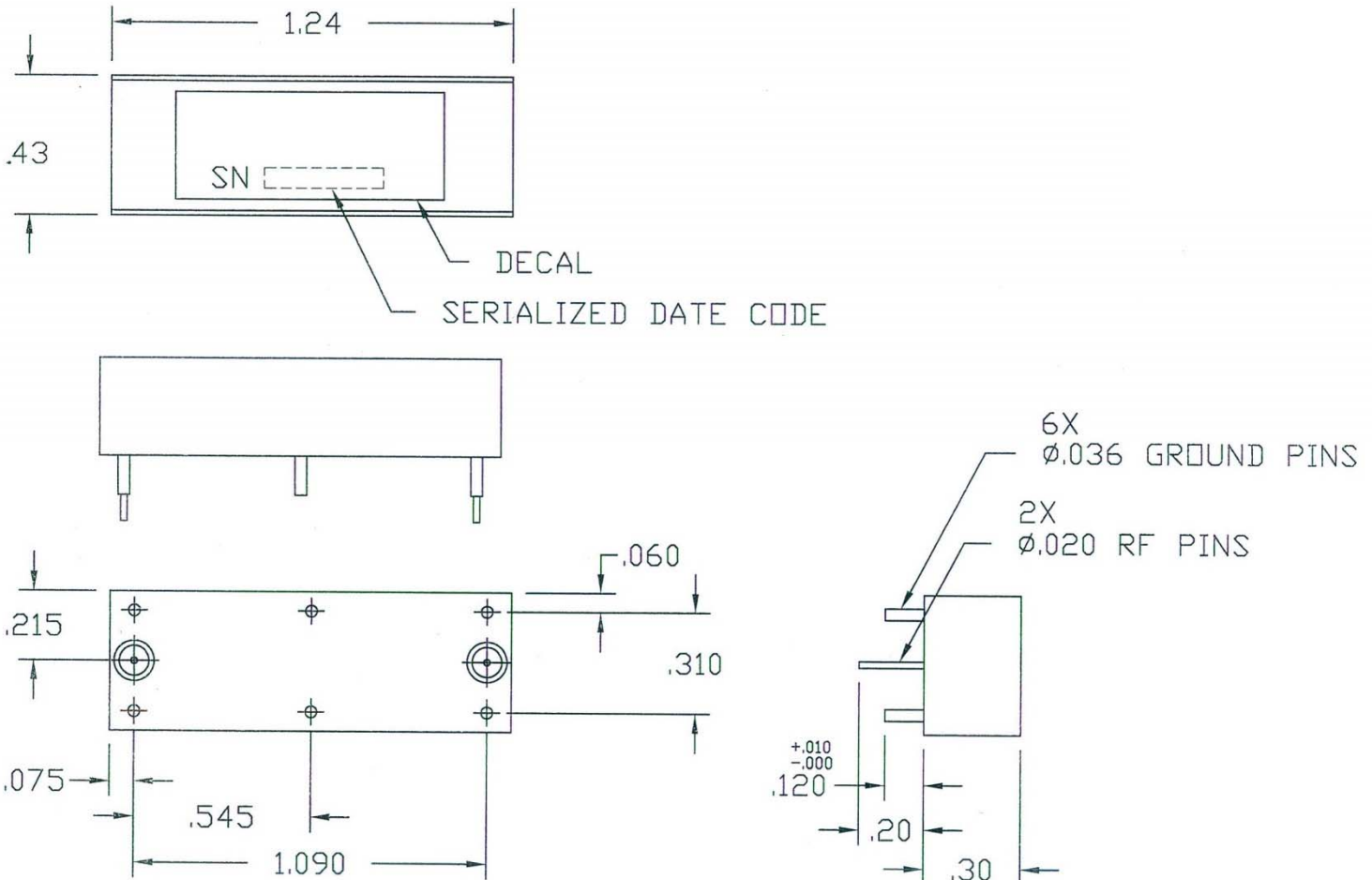
Mechanical

Connector Type: RF Pins
Dimensions: 1.24 x 0.43 x 0.30 Inches

Environmental

Operating Temperature: -30 to +85° C
Storage Temperature: -40 to +95° C
Shock: 20 G. 11 ms
Vibration: 20 G. 5 to 200 MHz

Outline Drawing:



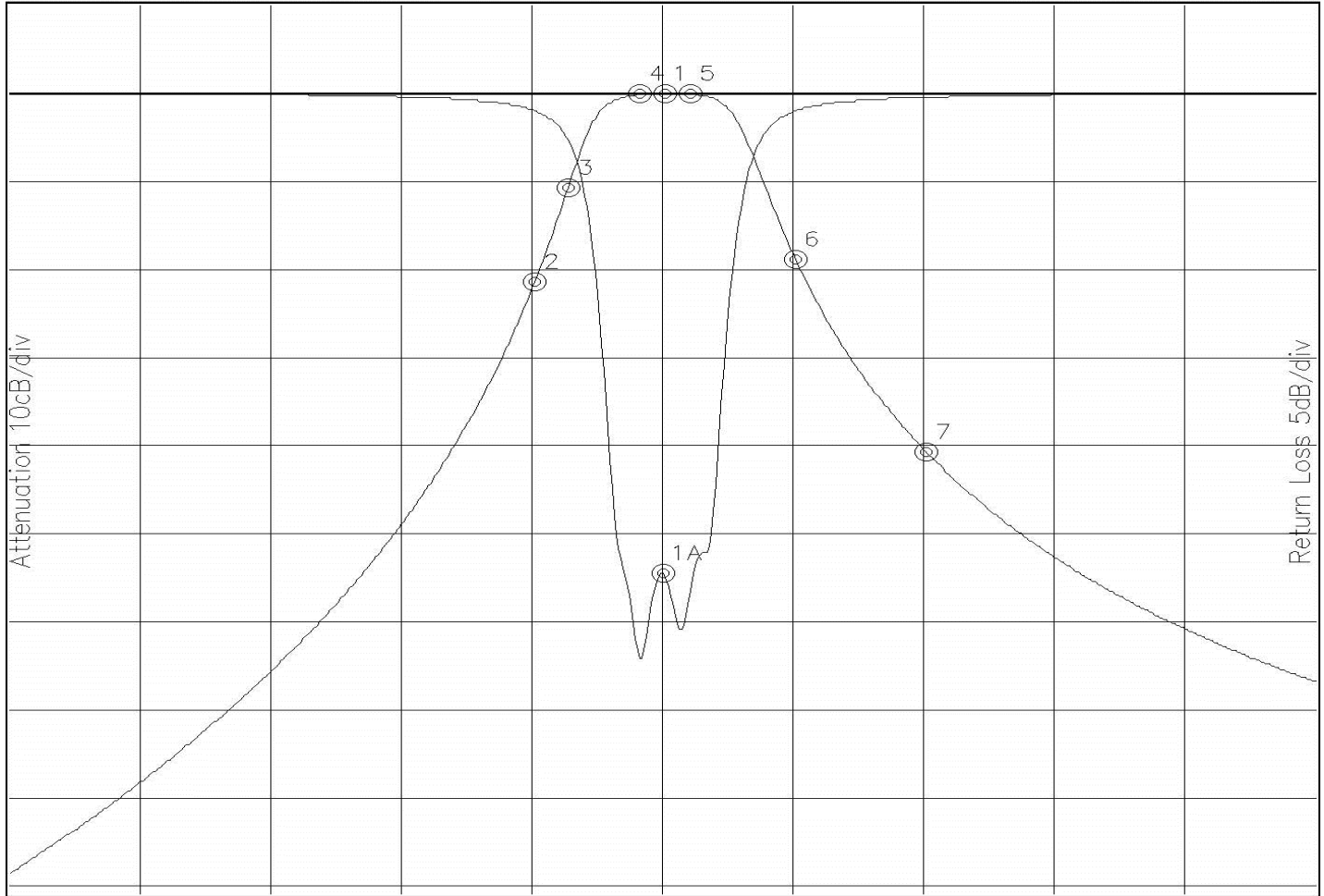


Response Plot:

A501.lad

DEC 3, 2015

Attenuation/Return Loss



Attenuation Start: 460.0MHz Stop: 660.0MHz

Return Loss Start: 460.0MHz Stop: 660.0MHz

Offset -3.0434dB

- Marker 1 Freq 560.16MHz Atten 0.094dB
- Marker 2 Freq 540.12MHz Atten -21.411dB
- Marker 3 Freq 545.29MHz Atten -10.583dB
- Marker 4 Freq 556.28MHz Atten -0.078dB
- Marker 5 Freq 564.03MHz Atten -0.006dB
- Marker 6 Freq 580.19MHz Atten -18.665dB
- Marker 7 Freq 600.22MHz Atten -40.586dB

Marker 1A Freq 559.83MHz Ret Loss -27.219dB

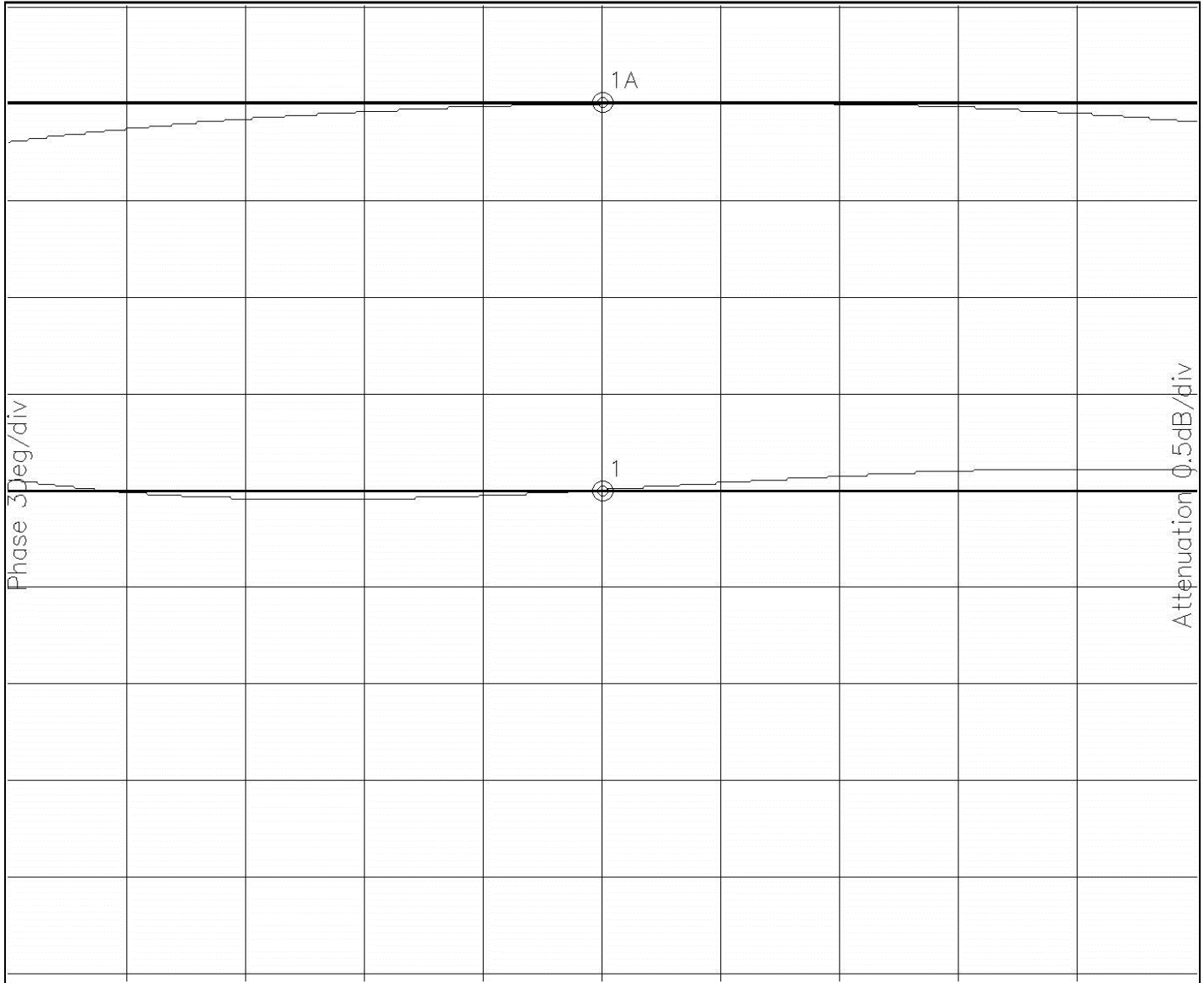


Phase:

A501.lad

DEC 3, 2015

Phase/Attenuation



Phase Start: 556.0MHz Stop: 564.0MHz

Attenuation Start: 556.0MHz Stop: 564.0MHz

Offset -338.54Deg

Offset -2.9456dB

Marker 1 Freq 559.99MHz Phase 0.023Deg

Marker 1A Freq 559.99MHz Atten -0.005dB