



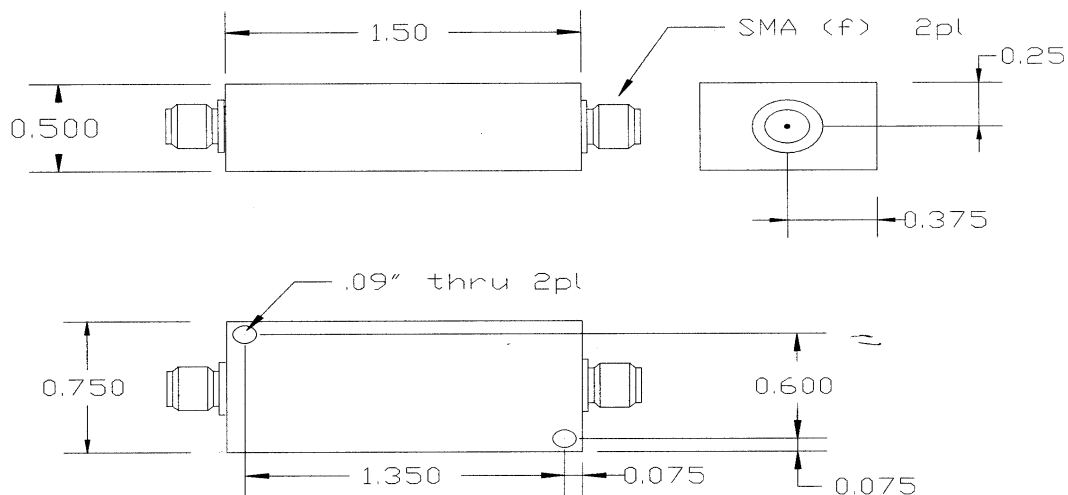
## 184 MHz Bandpass Filter

Part Number: AE184B6438

### Specifications:

- Center Frequency: 184 MHz
- Insertion Loss @ 175-182 MHz : <1dB
- Return Loss Passband >14dB
- Rejection >40dB @ 0-70 MHz
  - >20dB @ 120 MHz
  - >20dB @ 250 MHz
  - >40dB @ 350-1300 MHz

### Outline Drawing:



DWG 986420 ajs 1/99  
Outline Drawing  
Anatech Electronics Inc.