



ANATECH ELECTRONICS INC
RF & Microwave Filters & Products

90.51 MHz LC Band Pass Filter

Part Number: AE90.51B5453



Electrical Specifications

Center Frequency: 90.51 MHz
3dB Passband: 76.2-107.8 MHz
Insertion Loss: 3.0dB Max.
Return Loss: 14.0dB Min.
Rejection1: 40dB Min @ 64.4 MHz
Rejection2: 40dB Min @ 127.5 MHz
Power Handling: 10 W
Input/output Impedance: 50 Ohms

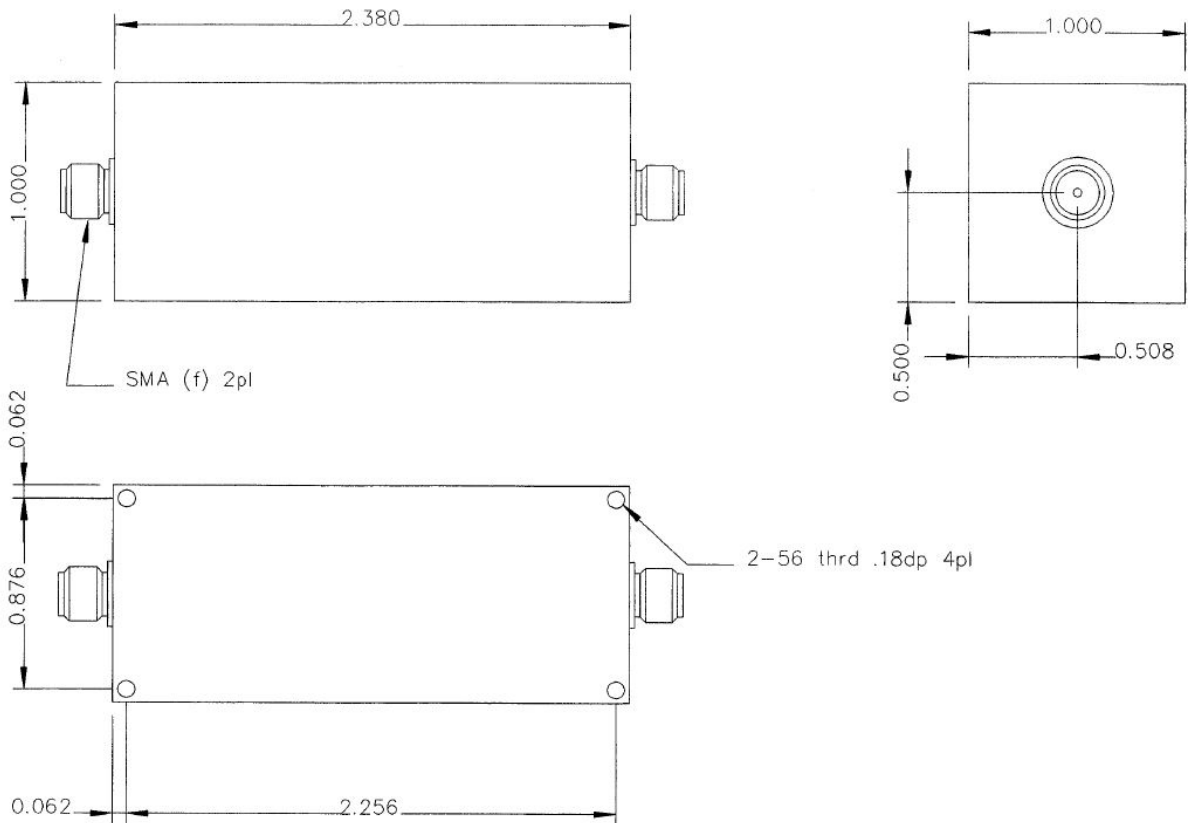
Mechanical

Mounting Method: Threaded Holes
Connector Type: SMA(F)
Dimensions: 2.38" X 1.0" x 1.0"

Environmental

Operating Temperature: -25°C to +70°C
Storage Temperature: -40°C to +90°C
Shock: 10 G. 11ms
Vibration: 10 G. 5 to 200Hz

Outline Drawing:



Tolerance: +/-0.01 inches [+/- 0.3mm]

Angles: +/- 1 Deg.

*Tolerance as shown unless otherwise specified in the datasheet electrical specification tables above.

*When max dimensions are called out the above tolerances do not apply as long as it is under the max call out.

70 Outwater Lane Phone: (973) 772-4242
Garfield, NJ 07026 Fax : (973) 321-3941

Email: sales@anatechelectronics.com
Web: www.anatechelectronics.com



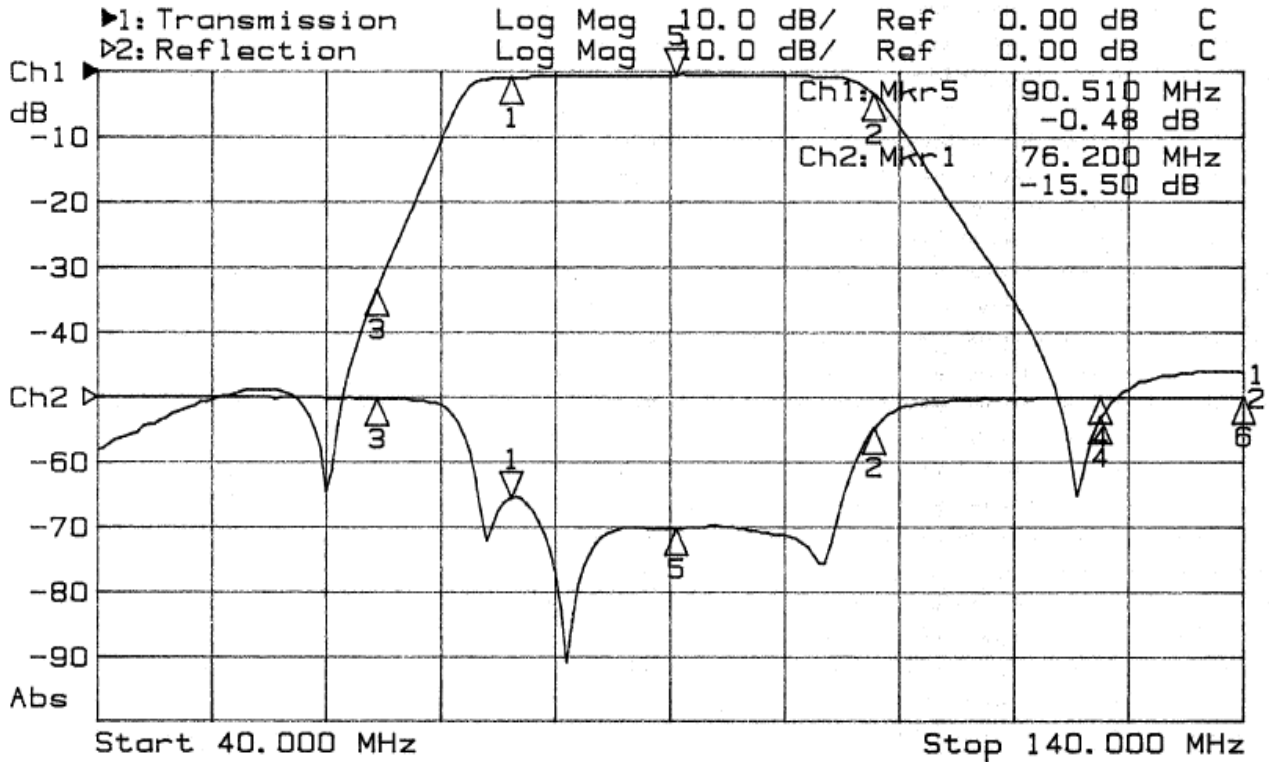
ANATECH ELECTRONICS INC
RF & Microwave Filters & Products

90.51 MHz LC Band Pass Filter

Part Number: AE90.51B5453



Response Plot:



1: Mkr (MHz)	dB	2: Mkr (MHz)	dB
1: 76.20	-0.94	1> 76.20	-15.50
2: 107.80	-3.48	2: 107.80	-4.73
3: 64.40	-33.47	3: 64.40	-0.26
4: 127.50	-53.19	4: 127.50	-0.12
5> 90.51	-0.48	5: 90.51	-20.26
		6: 140.00	-0.01