



ANATECH ELECTRONICS INC
RF & Microwave Filters & Products

450 MHz LC Band Pass Filter

Part Number: **AE450B5815**



Electrical Specifications

Center Frequency: 450 MHz
Passband: 410-490 MHz
Insertion Loss: 3.0dB Max.
Return Loss: 14dB Min.
Rejection: ≥ 30 dB @ 10-90 MHz
Rejection2: ≥ 50 dB @ 540-590 MHz
Rejection3: ≥ 40 dB @ 960-1040 MHz

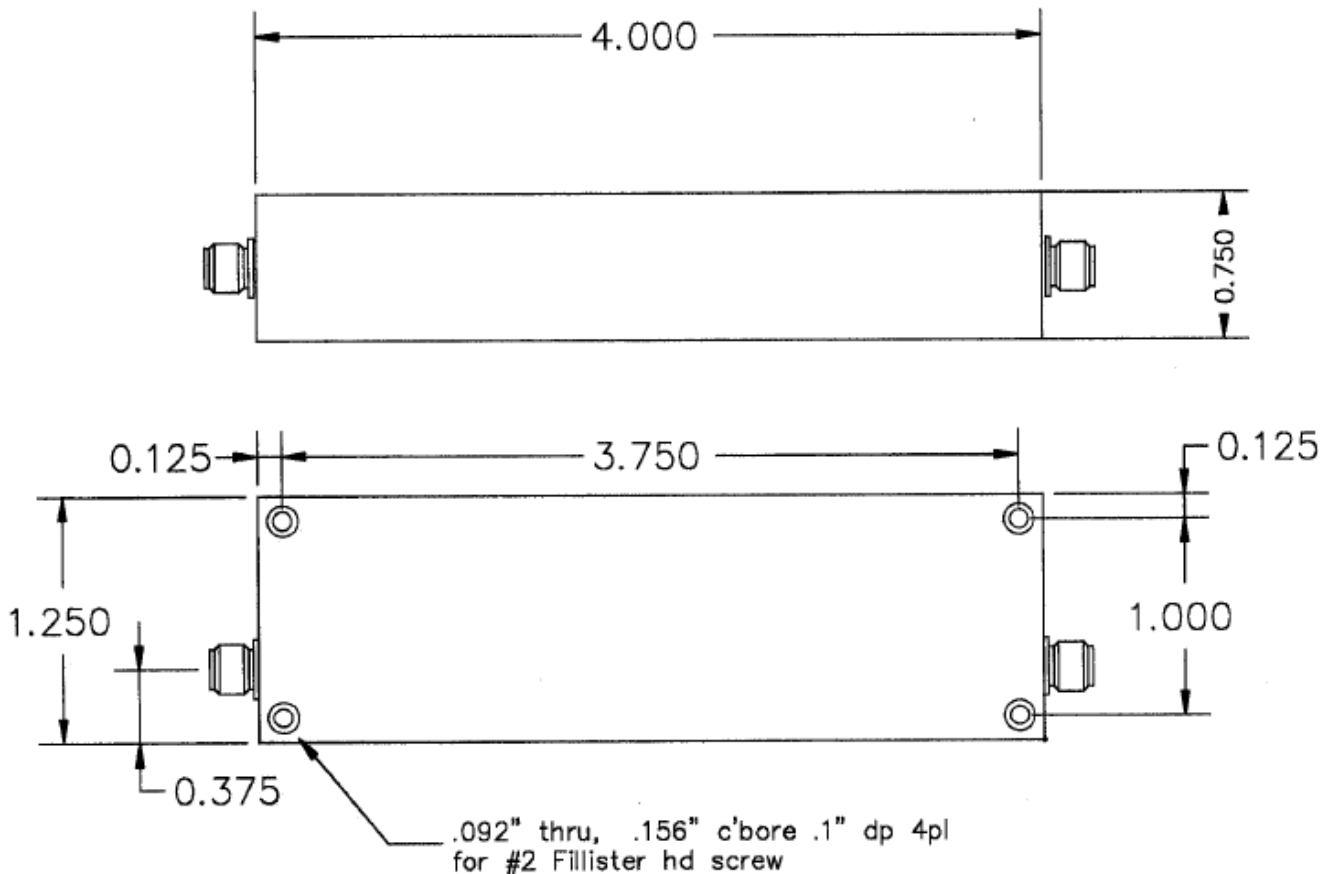
Mechanical

Mounting Method: Through Holes
Connector Type: SMA(F)
Dimensions: 4.0" X 1.25" x 0.75" .

Environmental

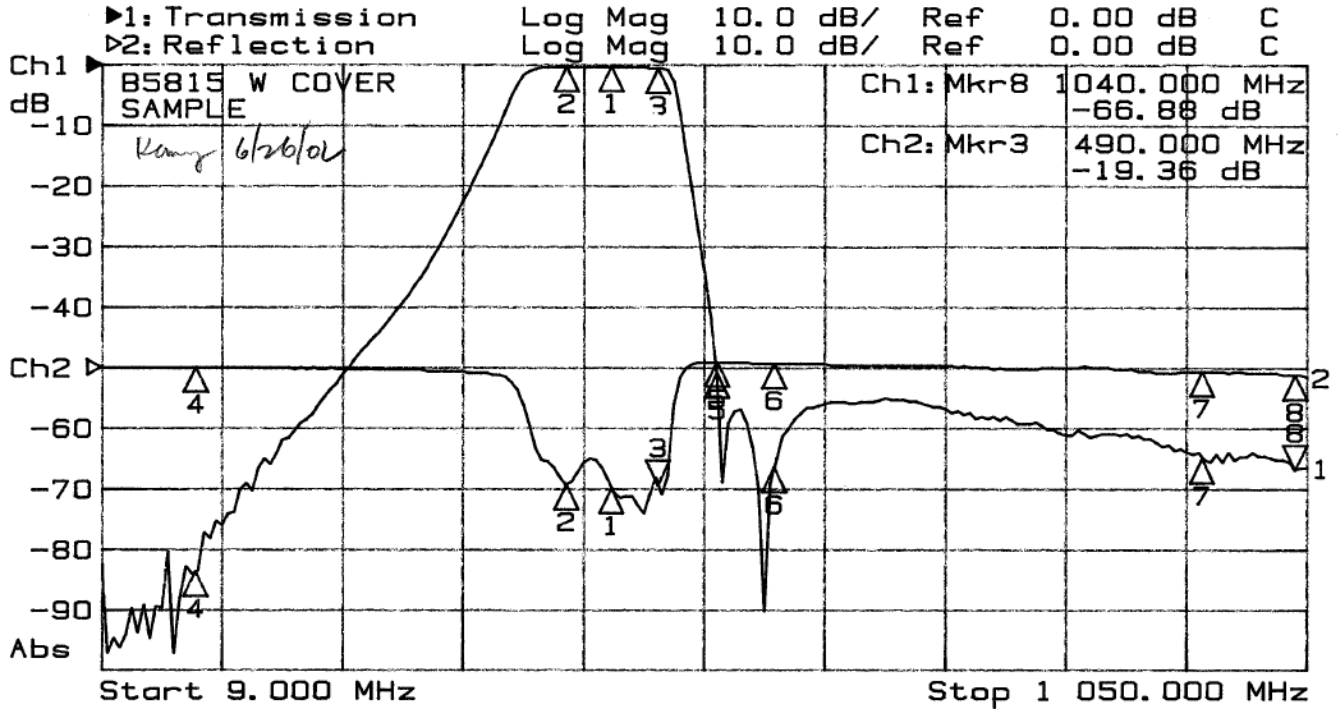
Operating Temperature: -25°C to +70°C
Storage Temperature: -40°C to +90°C
Shock: 10 G. 11ms
Vibration: 10 G. 5 to 200Hz

Outline Drawing:





Response Plot:



1: Mkr (MHz)	dB	2: Mkr (MHz)	dB
1: 450.00	-0.33	1: 450.00	-20.11
2: 410.00	-0.27	2: 410.00	-19.40
3: 490.00	-0.62	3> 490.00	-19.38
4: 90.00	-83.69	4: 90.00	-0.05
5: 540.00	-50.98	5: 540.00	1.06
6: 590.00	-66.50	6: 590.00	0.62
7: 960.00	-64.85	7: 960.00	-0.71
8> 1040.00	-66.88	8: 1040.00	-1.30