



915-928 MHz Cavity Bandpass Filter

Part Number: AB921B927



ANATECH ELECTRONICS INC
RF & Microwave Filters & Products

Electrical specifications

- Center Frequency:** 921.5 MHz
- Bandwidth:** 13 MHz
- Input / Output Impedance:** 50 Ohms
- Passband:** 915-928 MHz
- Passband Insertion Loss:** @ CF: <1.5 dB
- Passband Ripple:** <0.2 dB
- Passband Return Loss:** >16 dB
- Rejection:** >75 dB @ CF +/- 20 MHz
- Power Handling:** 40 Watts

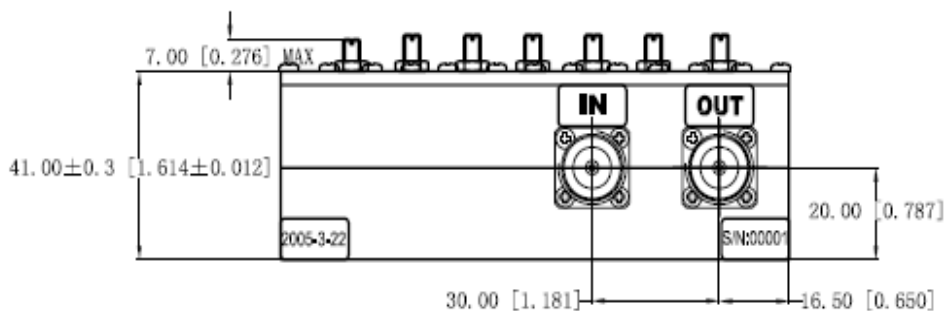
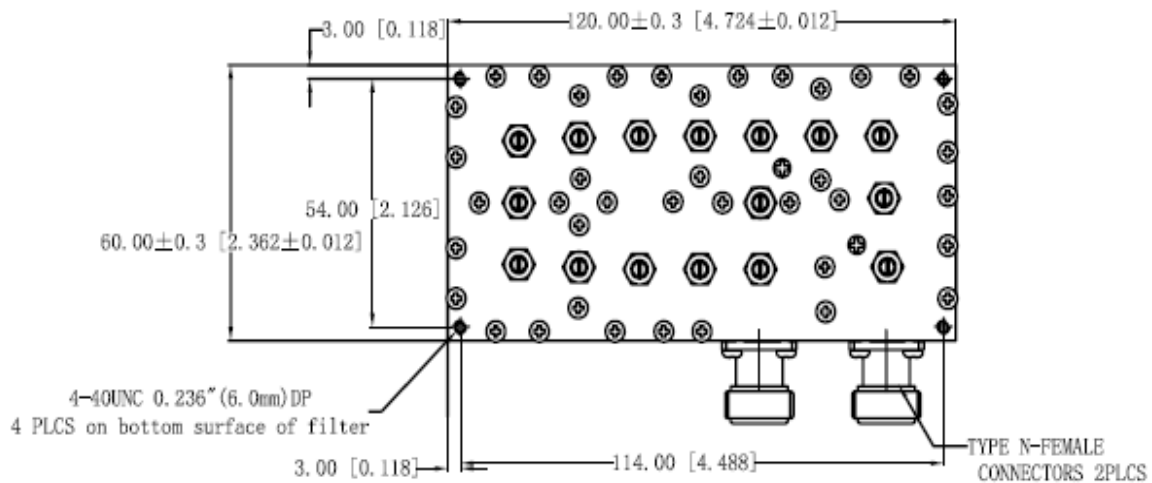
Mechanical

- Mounting Method:** Threaded Mounting Holes
- Connector Type:** N-Type Female
- Dimensions:** 120 x 114 x 60 mm.

Environmental

- Operating Temperature:** -20° C to +70° C
- Storage Temperature:** -55° C to +85° C
- Shock:** 20 G. 11ms
- Vibration:** 20 G. 5 to 200 MHz

Outline Drawing:





ANATECH ELECTRONICS INC
RF & Microwave Filters & Products

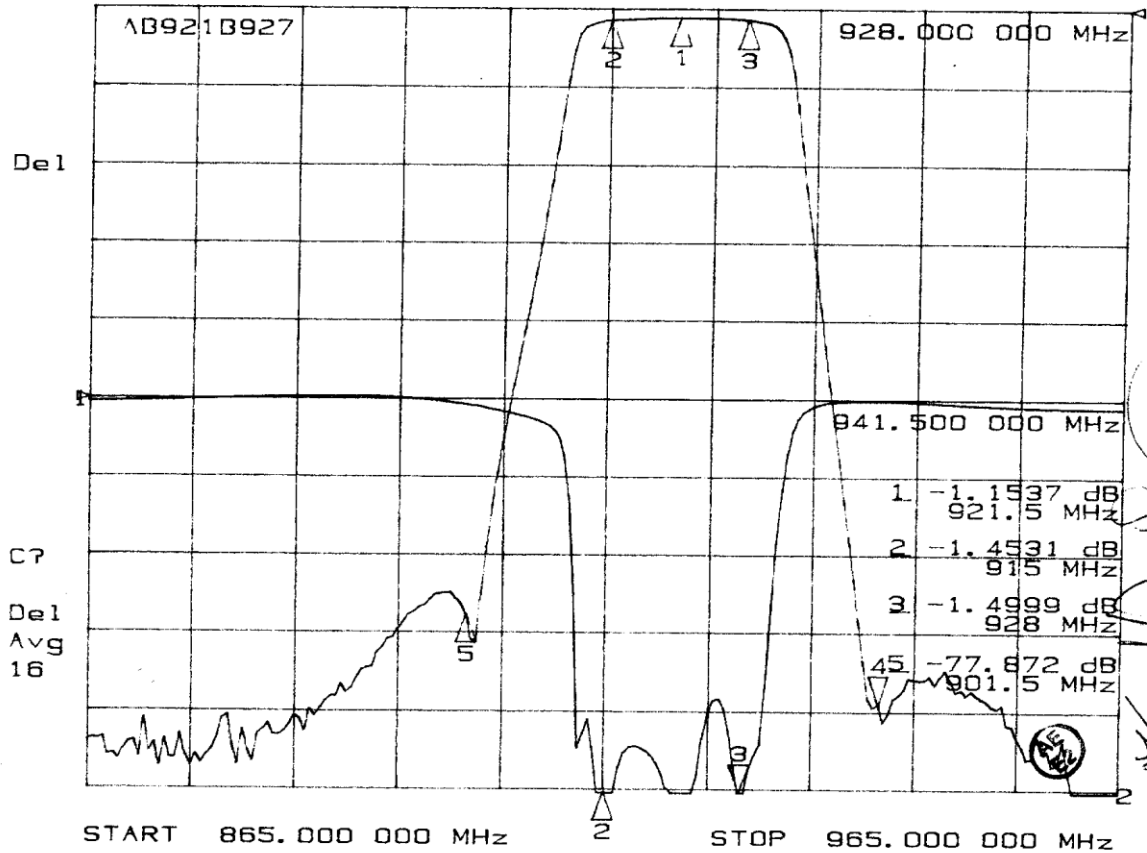
915-928 MHz Cavity Bandpass Filter

Part Number: AB921B927



Response Plot:

15 Feb 2010 11:44:15
 CH1 S11 10g MAG 5 dB/ REF 0 dB 3: -25.627 dB
 CH2 S21 10g MAG 10 dB/ REF 0 dB 4: -89.108 dB



Handwritten signature and initials