



Electrical specifications

Center Frequency: 1927.5 MHz
Passband: 1700-2155 MHz
1dB BW: 455 MHz
Insertion Loss @ 1927 MHz: <= 0.5dB
Return Loss @ passband: >15 dB
Rejection: >=30dB @ 1660MHz
Rejection: >=30dB @ 2195 MHz
Power Handling: +48dBm (max)
Input / Output Impedance: 50 Ohms

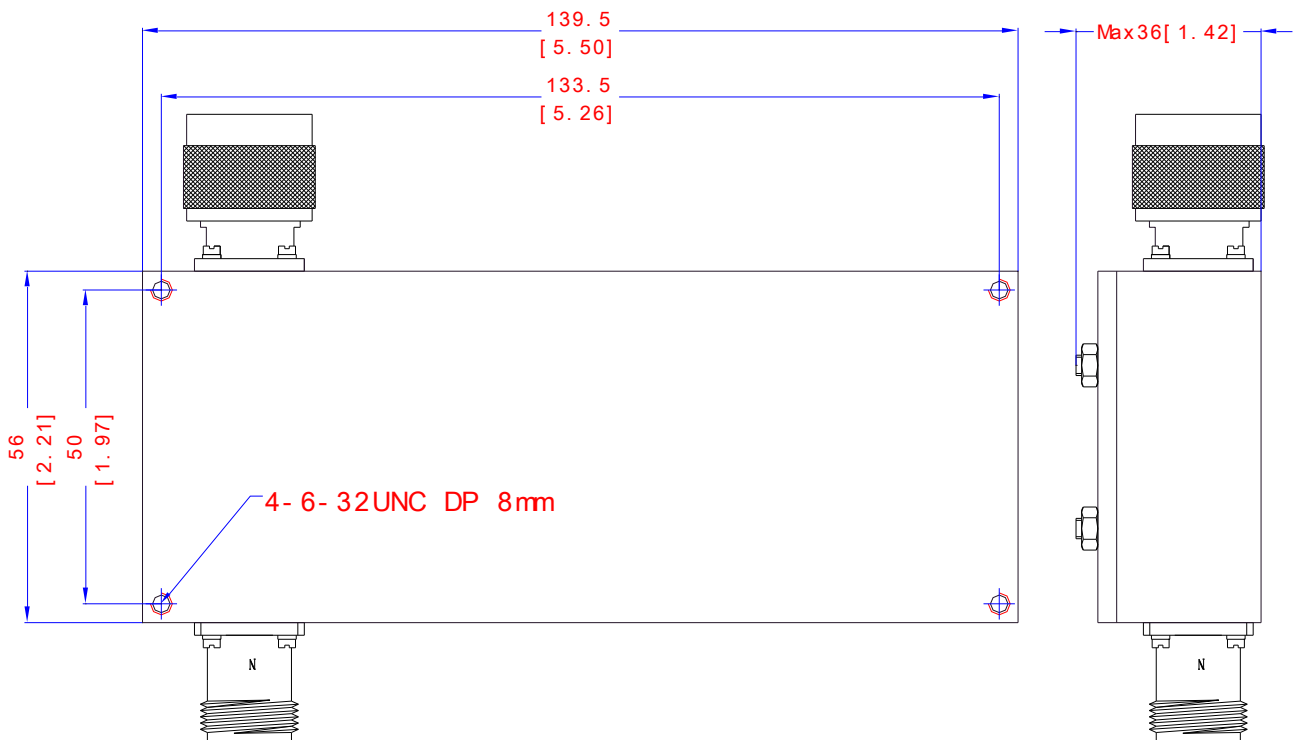
Mechanical

Connector Type: N (F)/ N(M)
Dimensions: 5.50" x 2.21" x 1.42 (max)

Environmental

Operating Temperature: -45 to +85 deg.C
Storage temperature: -65 to +95 deg.C
Shock: 20 G's, 1/2 sine, 11ms
Vibration: 10 G's, 10-2000Hz
Relative Humidity: 0-95%

Outline Drawing:





ANATECH ELECTRONICS INC
RF & Microwave Filters & Products

1700-2155 MHz Cavity Bandpass Filter

Part Number: AB1927B1197



Simulated response Plot:

