



**Electrical specifications**

**Center Frequency:** 3425 MHz  
**Bandwidth:** 50 MHz  
**Input / Output Impedance:** 50 Ohms  
**Passband:** 3400-3450 MHz  
**Passband Insertion Loss:** 2.0 dB Max.  
**Passband Ripple:** 1.0 dB Max.  
**Passband Return Loss:** 12.0 dB Min.  
**Rejection:** @ Fo + 75 MHz 8 dB Min.  
**Rejection 2:** @ Fo + 200 MHz 25 dB Min.  
**Rejection 3:** @ Fo - 200 MHz 25 dB Min.  
**Power Handling:** 1 W

**Mechanical**

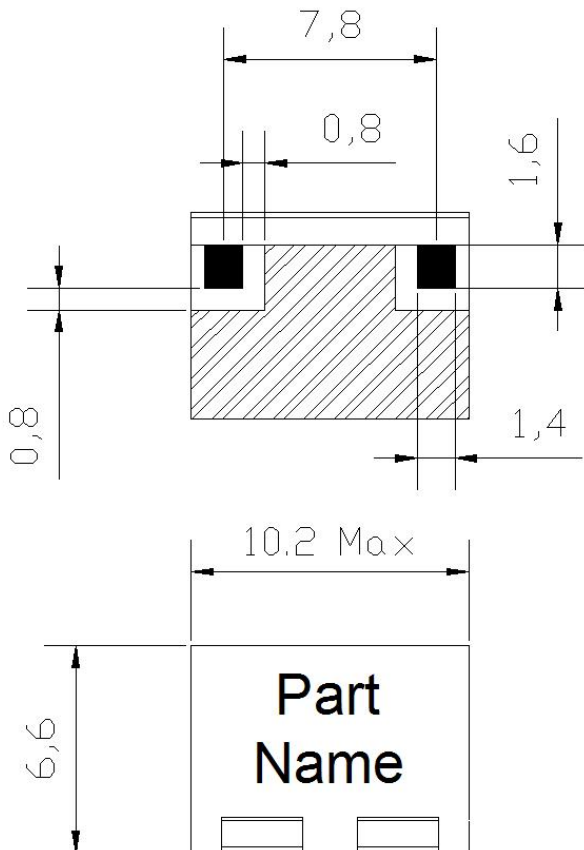
**Mounting Method:** SMT  
**Dimensions:** 8.3 x 7 x 5.54 mm

**Environmental**

**Operating Temperature:** -40°C to +85°C  
**Storage Temperature:** -50°C to +90°C

**This product is RoHs compliant.**

**Outline Drawing:**



Tolerance unless otherwise specified :  $\pm 0.2$   
 Dimension unit : mm

