



ANATECH ELECTRONICS INC
RF & Microwave Filters & Products

602.98 MHz LC Bandpass Filter

Part Number: AE602.98B10196



Electrical Specifications

Center Frequency: 602.98 MHz
Bandwidth: 10 MHz
Passband : 598 MHz to 608 MHz
Insertion Loss: $\leq 4.0\text{dB}$ @ 602.98 MHz
Return Loss: $>14\text{dB}$ @ 598 MHz to 608 MHz
Rejection: $>35\text{dB}$ @ 0-559 MHz
Rejection2: $>95\text{dB}$ @ 650 MHz to 2000 MHz
Impedance: 50 Ohms

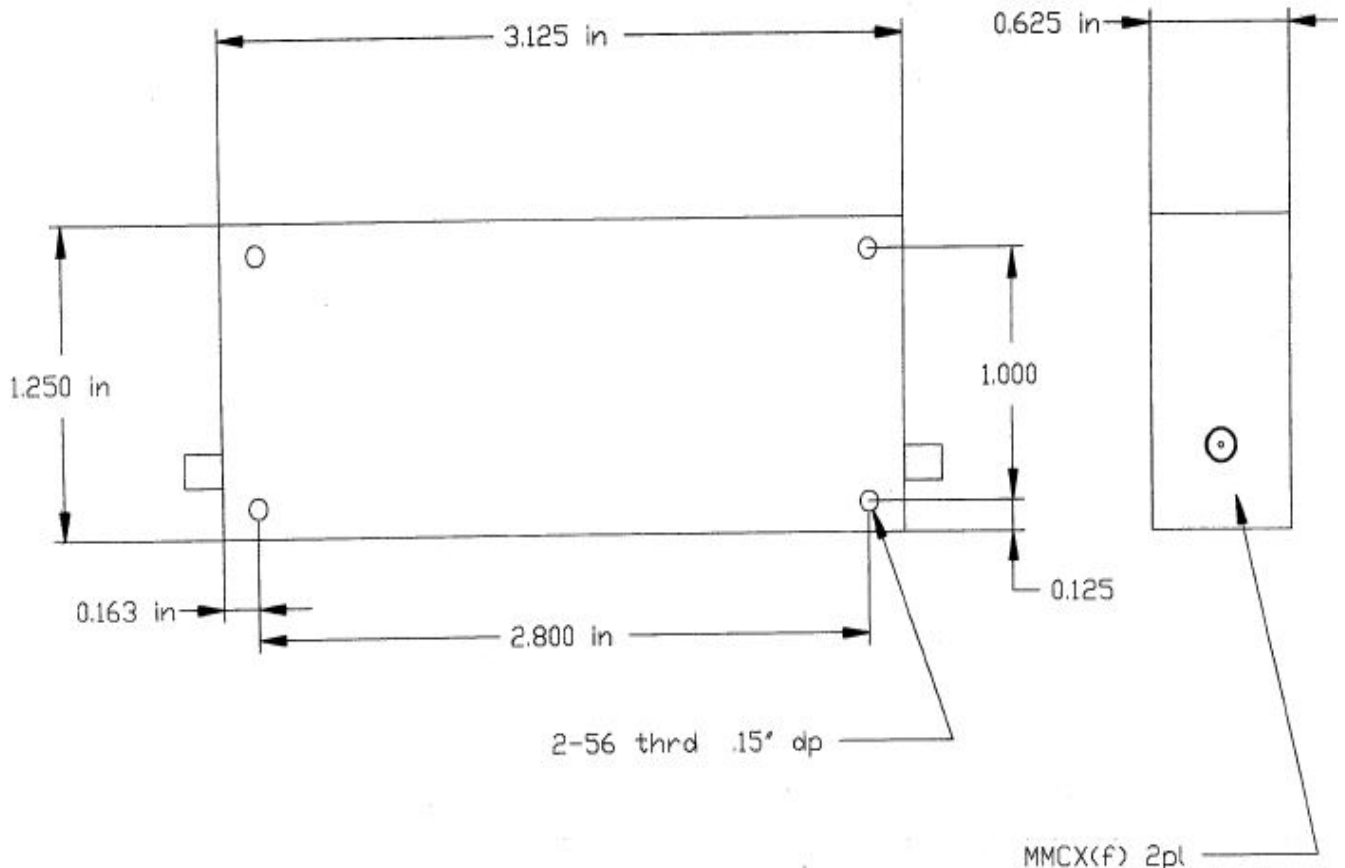
Mechanical

Mounting Method: Threaded Mounting Holes
Connector Type: MMCX(F)
Dimensions: 3.125" x 1.25" x 0.625" in.

Environmental

Operating Temperature: -25°C to $+70^{\circ}\text{C}$
Storage Temperature: -40°C to $+90^{\circ}\text{C}$
Shock: 10 G. 11ms
Vibration: 10 G. 5 to 200Hz

Outline Drawing:





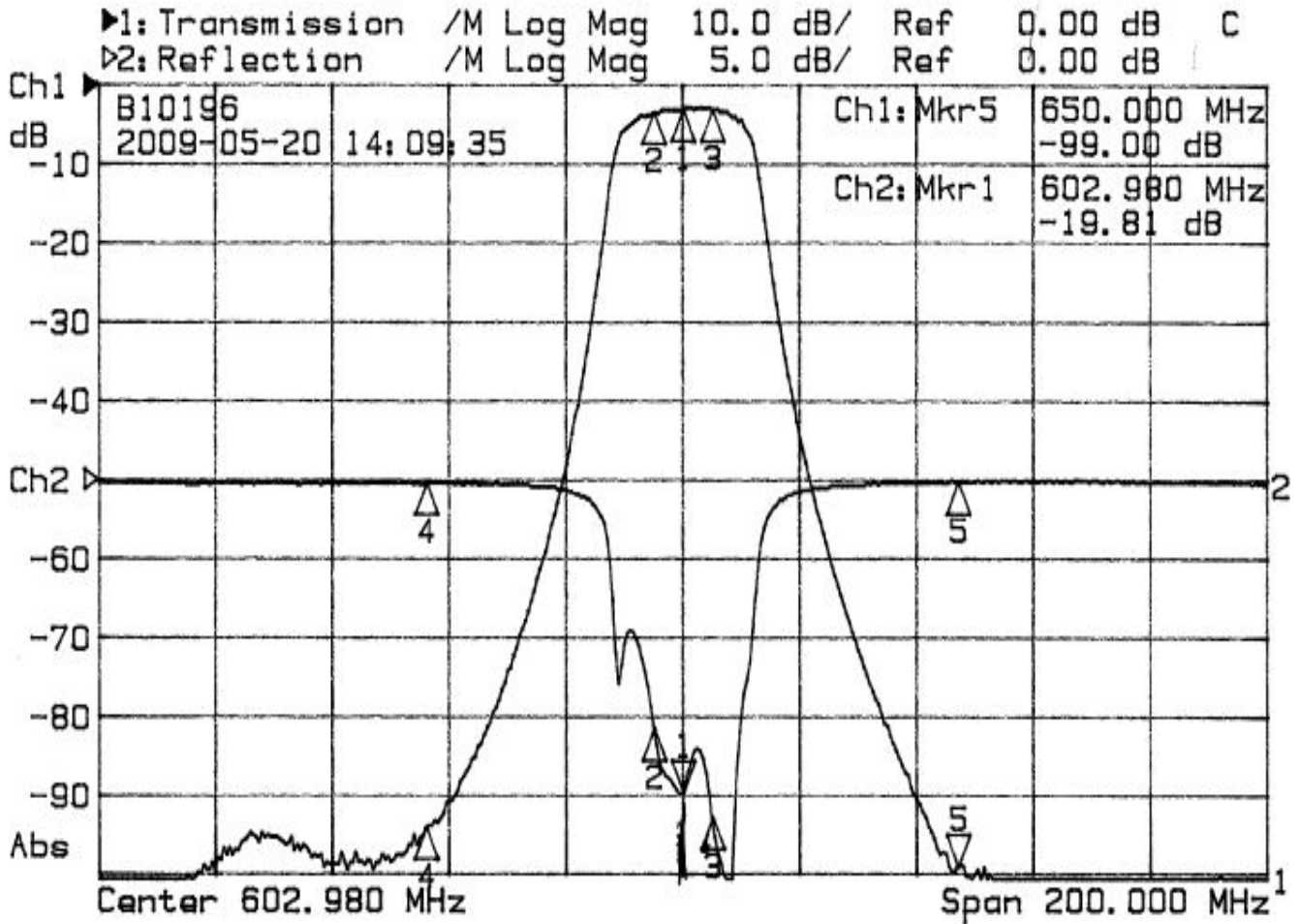
ANATECH ELECTRONICS INC
RF & Microwave Filters & Products

602.98 MHz LC Bandpass Filter

Part Number: AE602.98B10196



Response Plot:



1: Mkr (MHz)	dB	2: Mkr (MHz)	dB
1: 602.98	-3.03	1> 602.98	-19.81
2: 598.00	-3.54	2: 598.00	-15.73
3: 608.00	-3.05	3: 608.00	-21.40
4: 559.00	-94.17	4: 559.00	-0.20
5> 650.00	-99.00	5: 650.00	-0.10