



Electrical Specifications

Cutoff Frequency (Fc): 6800 MHz

Passband: 6800-12000 MHz

Passband Insertion Loss: 2.0dB Max.

Passband Return Loss: 10dB Min.

Rejection: 40 dB Min. @ 0-3500 MHz

Mechanical

Connector Type: SMA(F)

Dimensions: 1.5" x 0.75" x 0.5"

Environmental

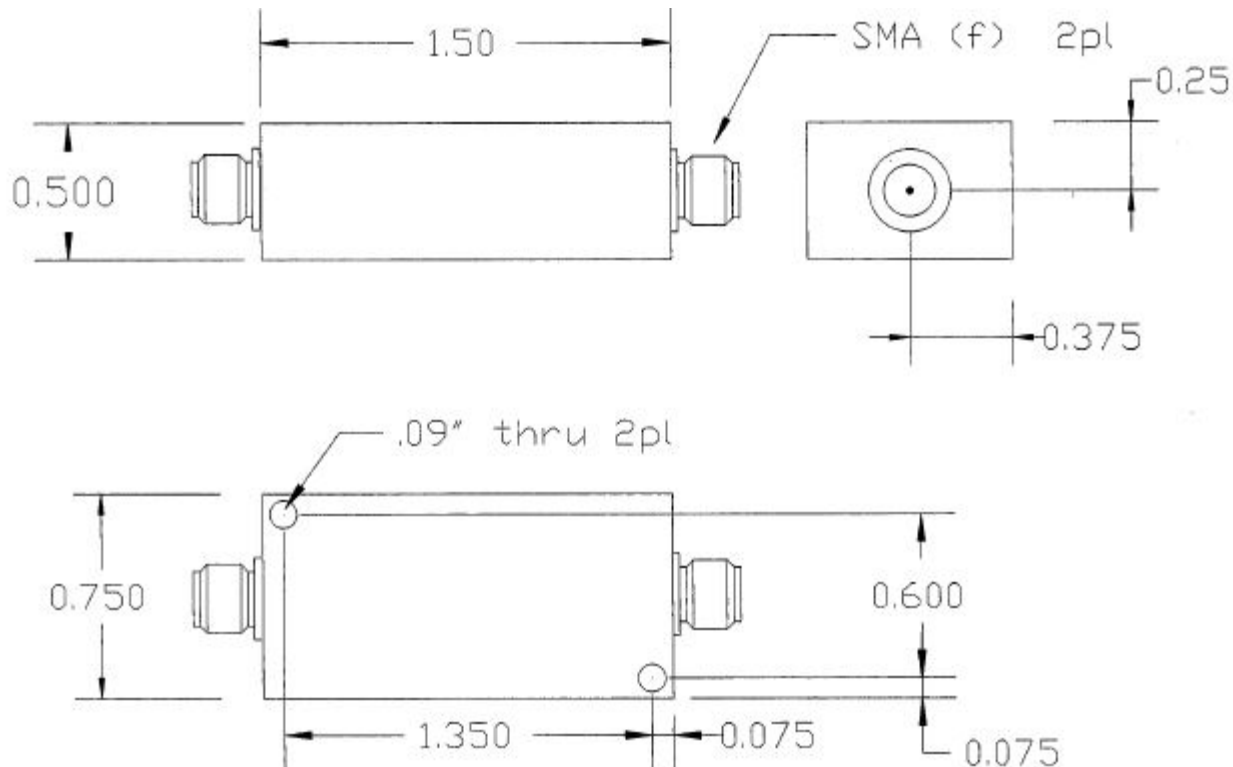
Operating Temperature: -25°C to +70°C

Storage Temperature: -40°C to +90°C

Shock: 10 G. 11ms

Vibration: 10 G. 5 to 200Hz

Outline Drawing:





Response Plot :

