



ANATECH ELECTRONICS INC
RF & Microwave Filters & Products

500 MHz LC Bandpass Filter

Part Number: AE500B4959



Electrical Specifications

Center Frequency: 500 MHz
Bandwidth: 50 MHz
Passband : 475 MHz to 525 MHz
Insertion Loss: <2.0dB @ 500 MHz
Return Loss: >14dB @ 475 MHz to 525 MHz
Rejection: >50dB @ 0-350 MHz
Rejection2: >50dB @ 650 MHz to 2000 MHz
Impedance: 50 Ohms

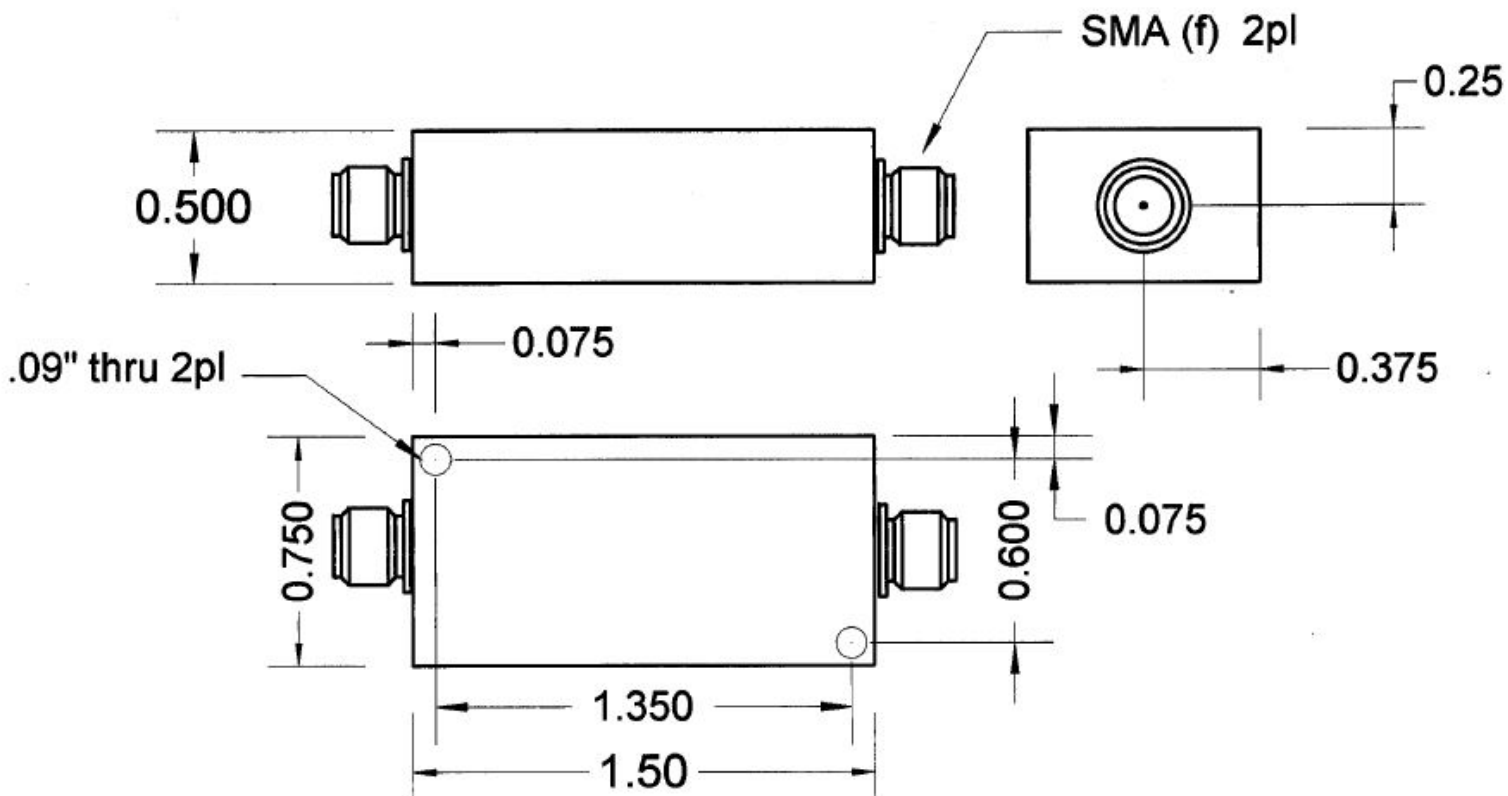
Mechanical

Mounting Method: Through Holes
Connector Type: SMA(F)
Dimensions: 1.5" x 0.75" x 0.5" in.

Environmental

Operating Temperature: -25°C to +70°C
Storage Temperature: -40°C to +90°C
Shock: 10 G. 11ms
Vibration: 10 G. 5 to 200Hz

Outline Drawing:





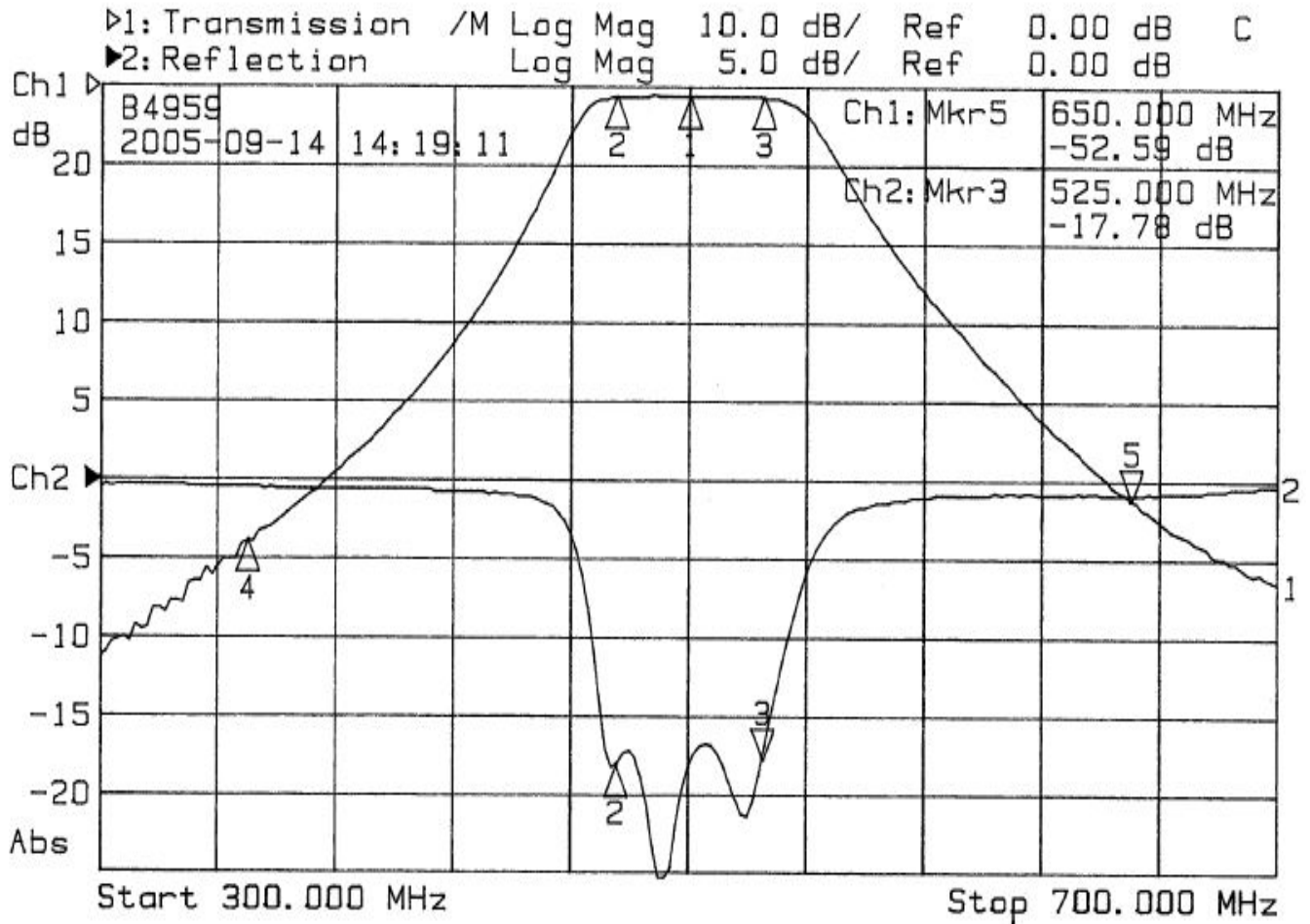
ANATECH ELECTRONICS INC
RF & Microwave Filters & Products

500 MHz LC Bandpass Filter

Part Number: AE500B4959



Response Plot:



1: Mkr (MHz)	dB	2: Mkr (MHz)	dB
1: 500.00	-1.17		
2: 475.00	-1.31	2: 475.00	-18.10
3: 525.00	-1.33	3> 525.00	-17.78
4: 350.00	-57.92		
5> 650.00	-52.59		

