



**ANATECH ELECTRONICS INC**  
RF & Microwave Filters & Products

# 60 MHz LC Band Pass Filter

**Part Number: AE60B11245**



## Electrical Specifications

**Center Frequency:** 60 MHz  
**3dBc Bandwidth:** 20 MHz Max  
**Insertion Loss at Center:** 1.25 dB Max  
**In/Out VSWR:** 1.25:1 Max  
**Rejection:** >35 dBc @ 30 MHz  
                   >35 dBc @ 110 MHz  
**Input Power (Max to 10K FT):** 1 W Max Average  
   2 W Max Peak

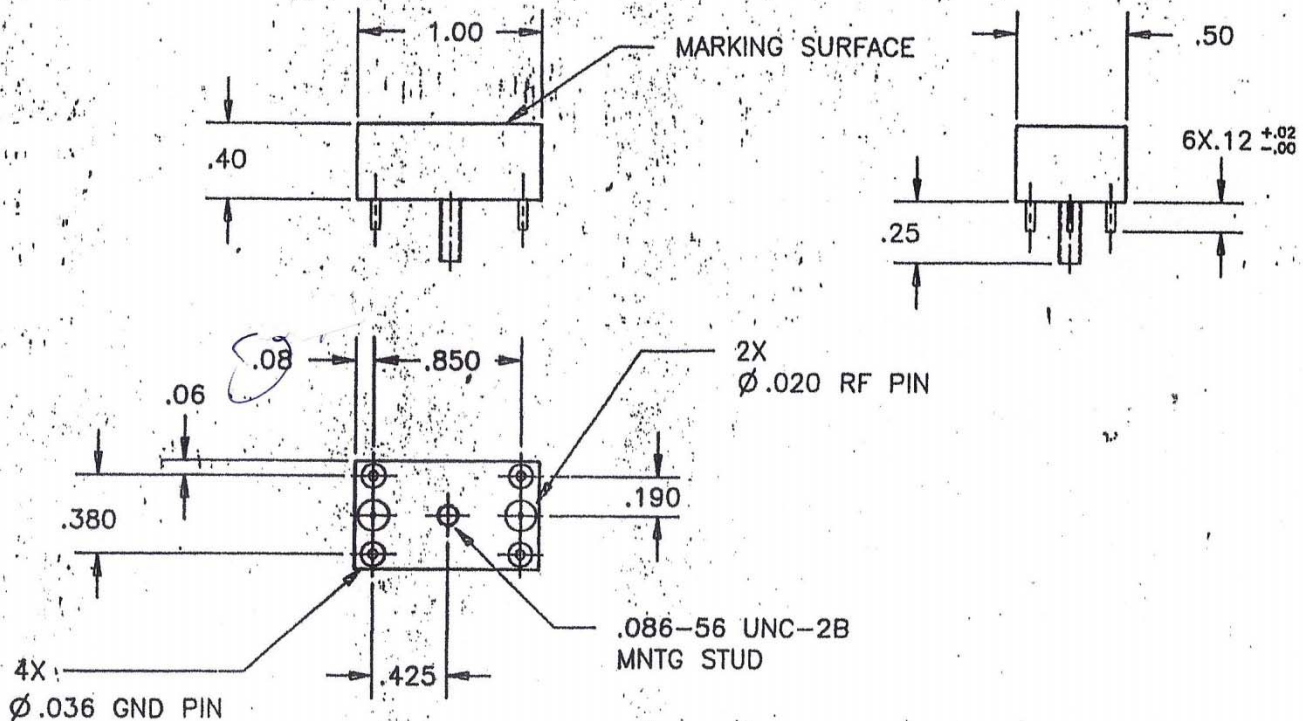
## Mechanical

**Connector Type:** RF Pins  
**Dimensions:** 1.0 x 0.4 x 0.5 Inches

## Environmental

**Operating Temperature:** -40 to +85° C  
**Storage Temperature:** -55 to +125° C  
**Shock:** 20 G. 11 ms  
**Vibration:** 10 G. 10 to 500 Hz  
**Relative Humidity:** 95%

## Outline Drawing:

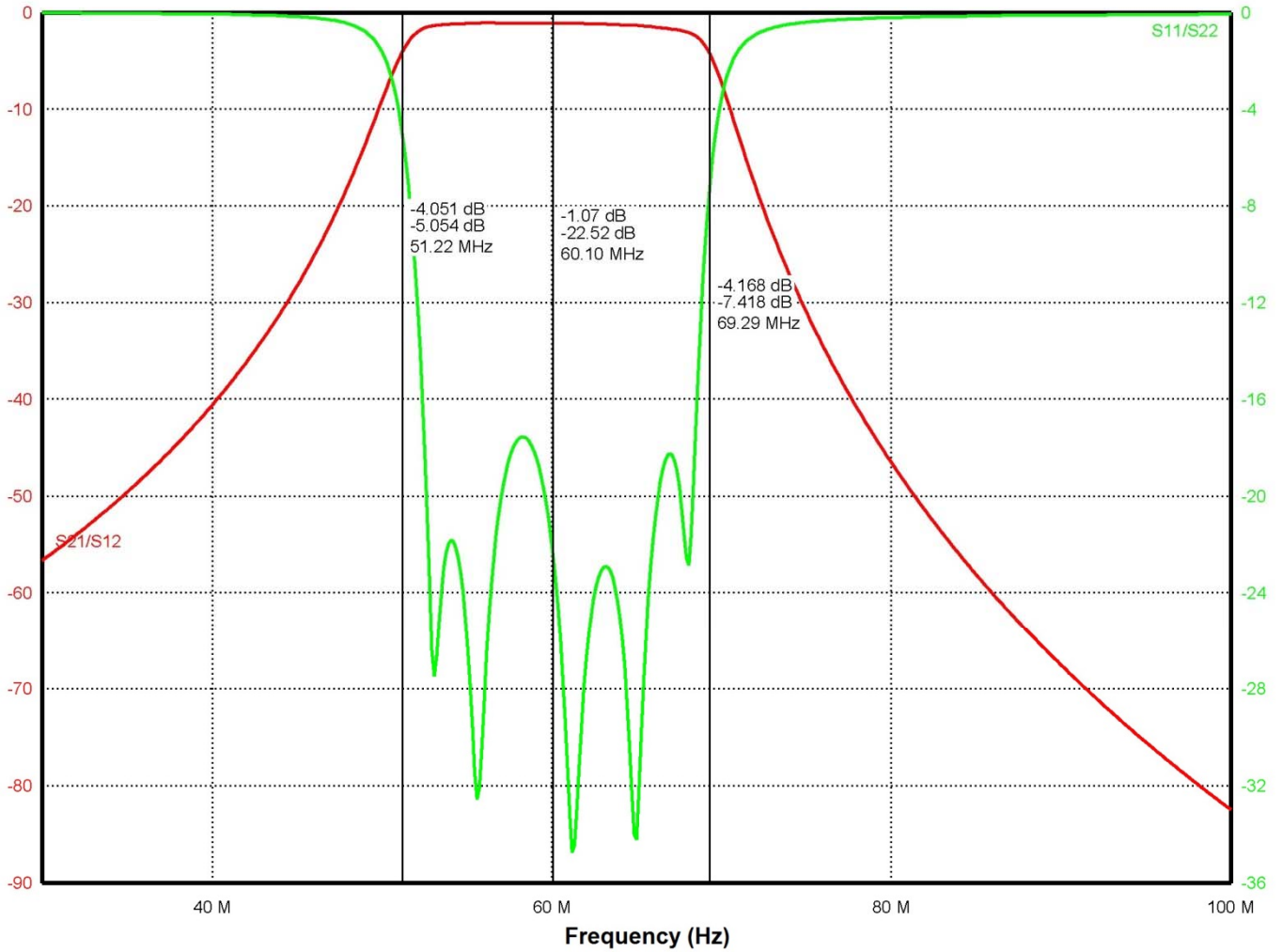


2 decimal places: +/-0.01 inches [+/- 0.3mm]  
 3 decimal places: +/- 0.005 inches [+/- 0.13mm]  
 Angles: +/- 1 Deg.

When max dimensions are called out the above tolerances do not apply as long as it is under the max call out.



### Response Plot:



**Note:** This is a simulation plot. Actual results may differ once the product is implemented.