



### Electrical Specifications

**Cutoff Frequency (Fc):** 1200 MHz  
**Passband:** 1200-3000 MHz  
**Passband Insertion Loss :** 0.5dB Max.  
**Passband Return Loss:** 14dB Min.  
**Rejection1:** 50 dB Min. @ 30-88 MHz  
**Rejection2:** 55 dB Min. @ 100-164 MHz  
**Rejection3:** 50 dB Min. @ 220-512 MHz  
**Power Handling:** 20 W

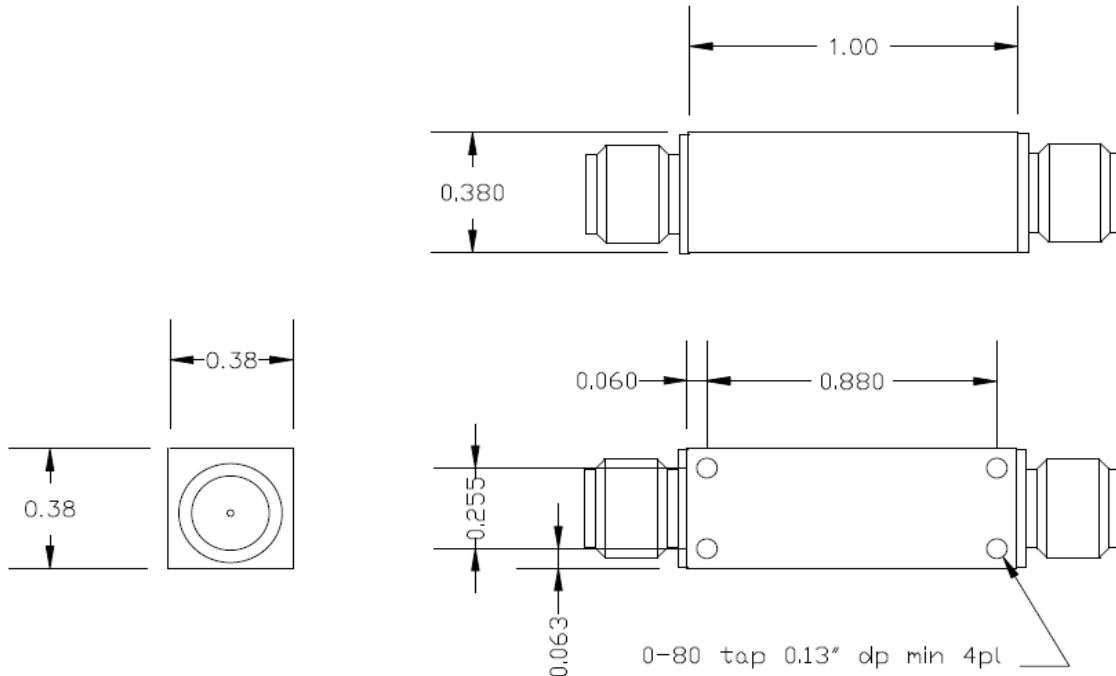
### Mechanical

**Connector Type:** SMA(F)  
**Dimensions:** 1.0" x 0.38" x 0.38"

### Environmental

**Operating Temperature:** -25°C to +70°C  
**Storage Temperature:** -60°C to +90°C  
**Shock:** 10 G. 11ms  
**Vibration:** 10 G. 5 to 200Hz

### Outline Drawing:





### Simulation Plot :

