



### Electrical specifications

**Center Frequency:** 1875 MHz  
**Insertion loss @1875 MHz:** <3 dB  
**Passband:** 1863-1887 MHz  
**Rejection 1:** 70 dB@1750 MHz  
**Rejection 2:** 70 dB@2 GHz

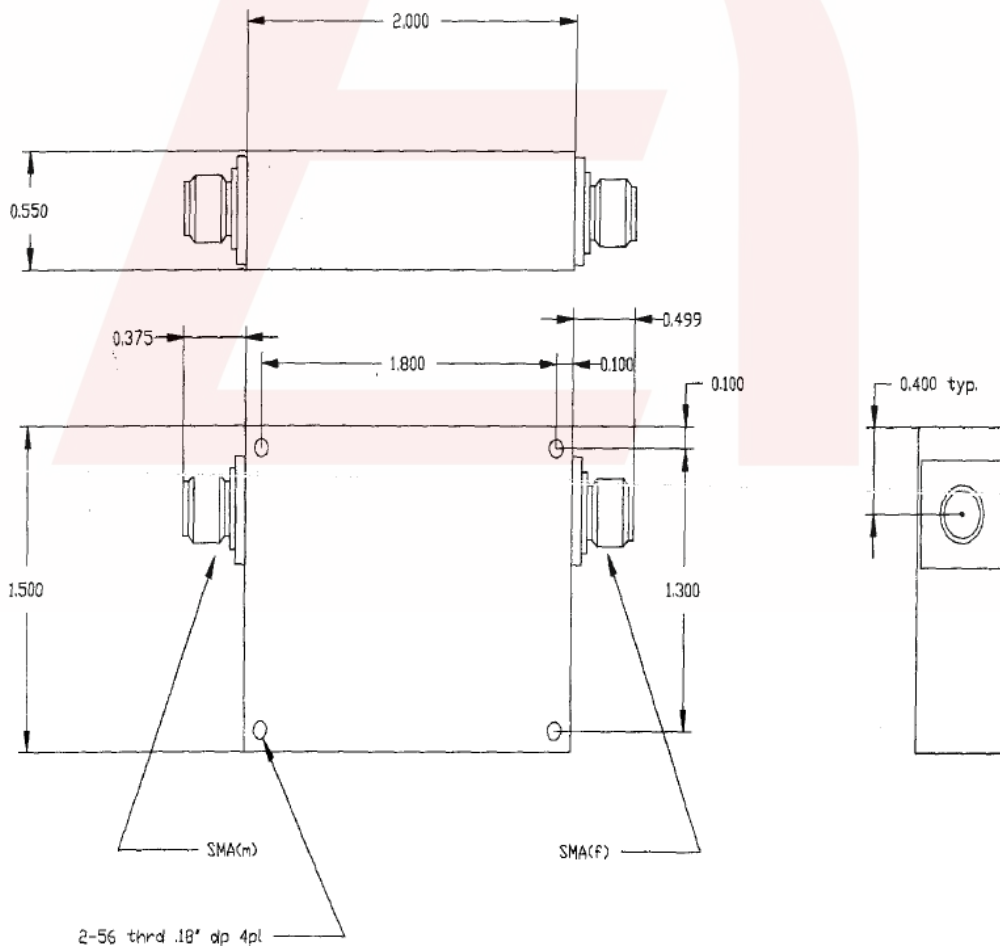
### Mechanical

**Mounting Method:** Threaded Mounting Holes  
**Connector Type:** SMA Male/Female  
**Dimensions:** 2.00" X 1.50" X 0.55" in

### Environmental

**Operating Temperature:** -45 to +85° C  
**Storage Temperature:** -55 to +95° C  
**Shock:** 20 G. 11ms  
**Vibration:** 20 G. 5 to 200 MHz

### Outline Drawing:





# 1875 MHz Cavity Bandpass Filter

**ANATECH ELECTRONICS INC**  
RF & Microwave Filters & Products

**Part Number: AB1875B882**



Plot:

