



ANATECH ELECTRONICS INC
RF & Microwave Filters & Products

3387.5 MHz Cavity Bandpass Filter

Part Number: AB3387B593



Electrical specifications

Center Frequency: 3387.5 MHz
Bandwidth: 12 MHz
Input / Output Impedance: 50 Ohms
Passband: 3381.5 – 3393.5 MHz
Passband Insertion Loss: < 3 dB
Passband Ripple: <0.2 dB
Passband Return Loss: 15 dB
Rejection: 20 dB Min at +/- 14 MHz
Power Handling: 20 W

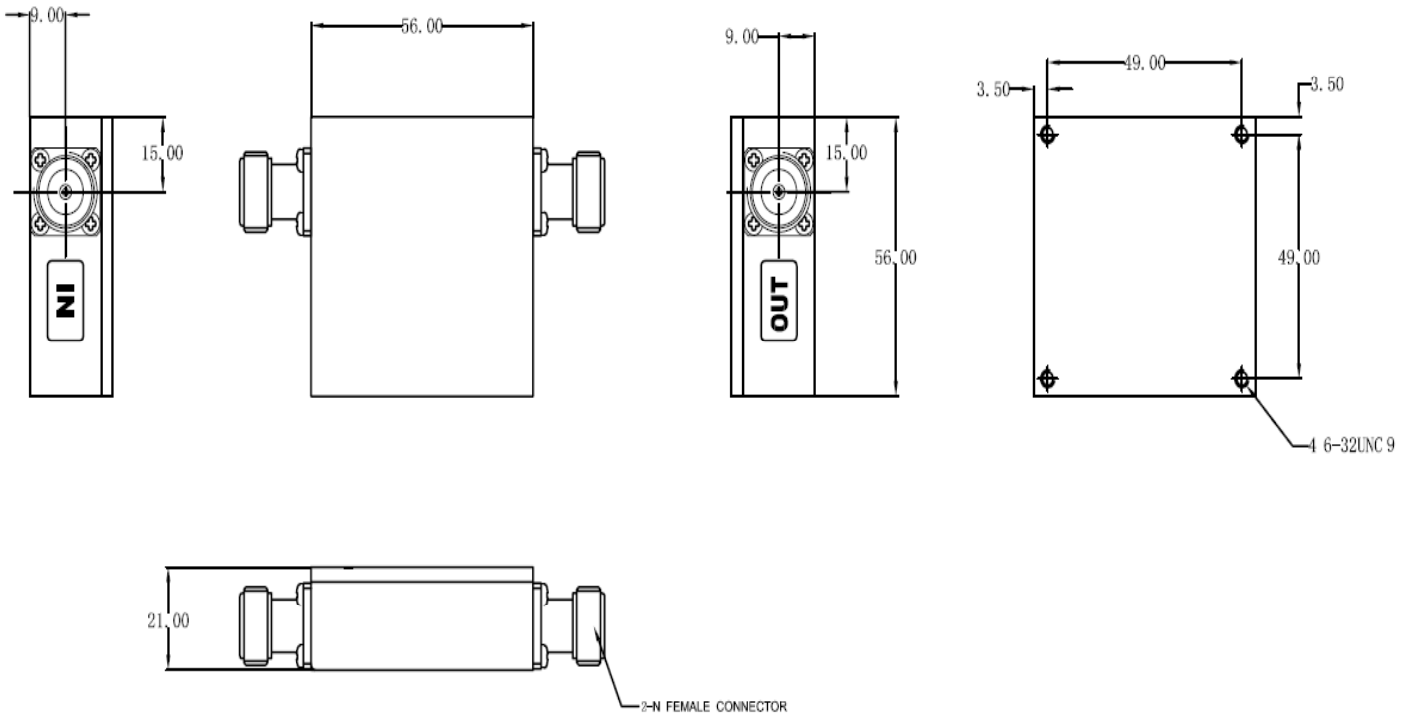
Mechanical

Mounting Method: Threaded Mounting Holes
Connector Type: N-Type Female
Dimensions: 56mm x 56mm x 21mm

Environmental

Operating Temperature: -45 to +85 deg.C
Storage Temperature: -55 to +95 deg.C
Shock: 20 G. 11ms
Vibration: 20 G. 5 to 200 MHz

Outline Drawing:





ANATECH ELECTRONICS INC
RF & Microwave Filters & Products

3387.5 MHz Cavity Bandpass Filter

Part Number: **AB3387B593**



Response Plot:

