



**ANATECH ELECTRONICS INC**  
RF & Microwave Filters & Products

# 43000 MHz Cavity Band Pass Filter

**Part Number: AE43000B11562**



## Electrical Specifications

**Center Frequency:** 43 GHz  
**Passband:** 40-46 GHz  
**Passband Insertion Loss:**  $\leq 1.7\text{dB}$   
**Passband VSWR:**  $\leq 1.7:1$   
**Rejection1:**  $\geq 45\text{dB @ } 34.5\text{ GHz}$   
**Rejection2:**  $\geq 45\text{dB @ } 50\text{ GHz}$   
**Impedance:** 50 Ohms  
**Power:** 5 Watts Max.

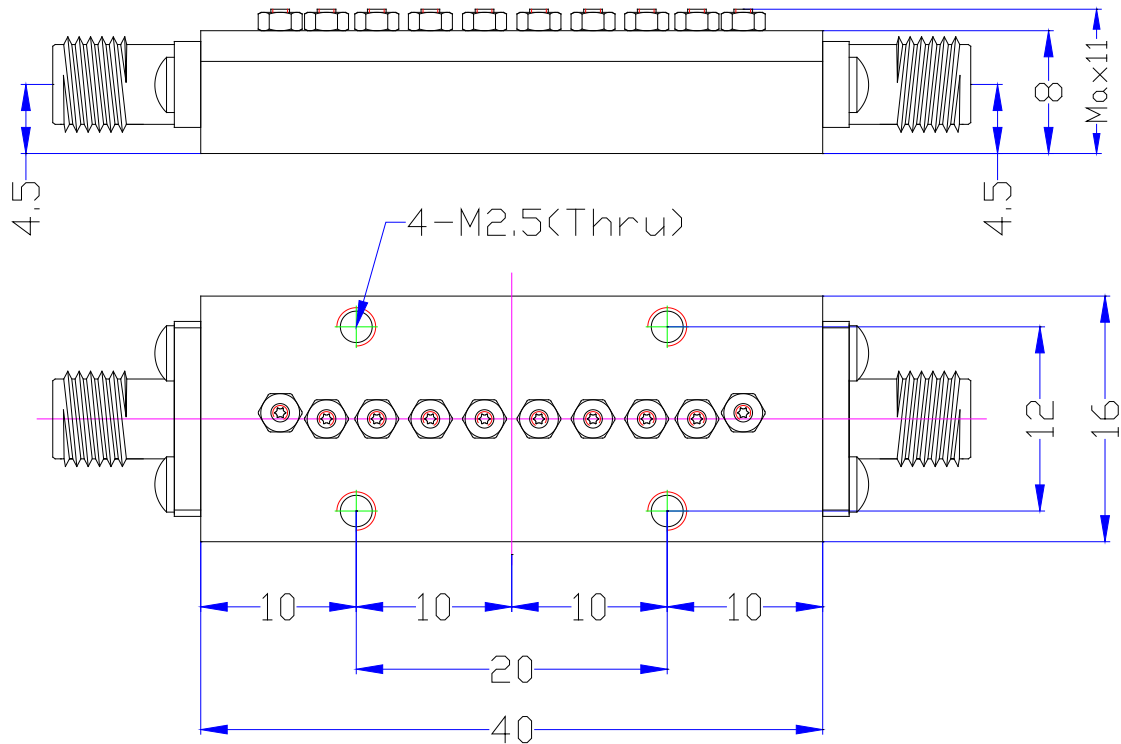
## Mechanical

**Mounting Method:** Through Holes  
**Connector Type:** 2.4mm (F)  
**Dimensions:** 40 X 16 x 11 mm

## Environmental

**Operating Temperature:** 15°C to +40°C  
**Storage Temperature:** 5°C to +60°C  
**Shock:** 20 G. 11ms  
**Vibration:** 20 G. 5 to 200Hz

## Outline Drawing:



Tolerance: +/-0.01 inches [+/- 0.3mm]

Angles: +/- 1 Deg.

\*Tolerance as shown unless otherwise specified in the datasheet electrical specification tables above.

\*When max dimensions are called out the above tolerances do not apply as long as it is under the max call out.

**70 Outwater Lane Phone: (973) 772-4242**  
**Garfield, NJ 07026 Fax : (973) 321-3941**

Reference DCR:D061719-04A

**Email: [sales@anatechelectronics.com](mailto:sales@anatechelectronics.com)**  
**Web: [www.anatechelectronics.com](http://www.anatechelectronics.com)**



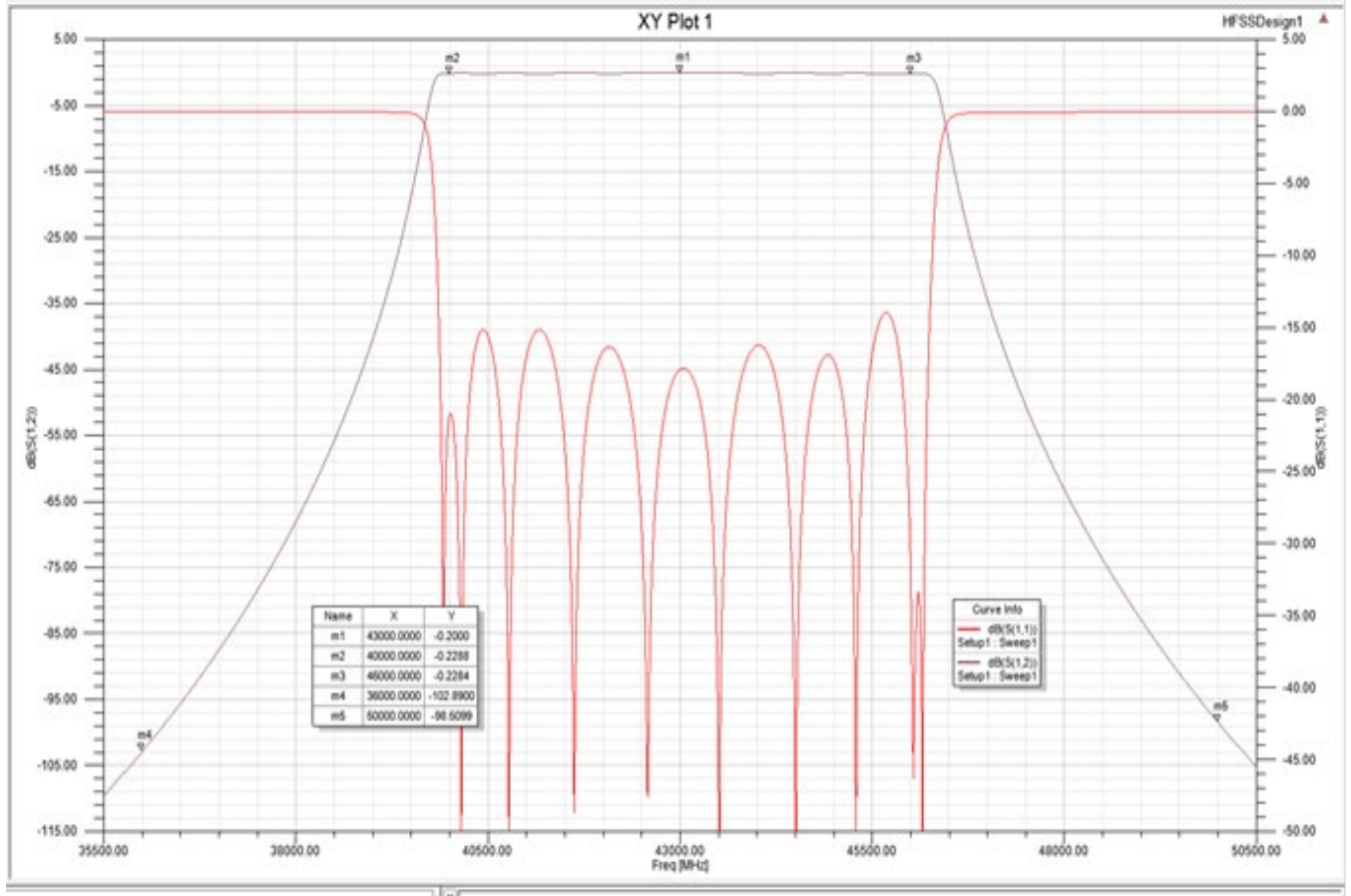
**ANATECH ELECTRONICS INC**  
RF & Microwave Filters & Products

# 43000 MHz Cavity Band Pass Filter

Part Number: AE43000B11562



## Simulation Plot:



Note: This is a simulation Plot. Actual response plot might differ once product is manufactured.

70 Outwater Lane Phone: (973) 772-4242  
Garfield, NJ 07026 Fax : (973) 321-3941

Email: [sales@anatechelectronics.com](mailto:sales@anatechelectronics.com)  
Web: [www.anatechelectronics.com](http://www.anatechelectronics.com)