



4.9-6.1 GHz Cavity Bandpass Filter

ANATECH ELECTRONICS INC
RF & Microwave Filters & Products

Part Number: AB5550B573



Electrical specifications

Passband: 4.9 GHz - 6.1 GHz
Insertion loss @Passband: 0.8 dB Max.
Return loss @Passband: 18 dB Min.
Attenuation: 20 dB Min. @ 2.5GHz-4GHz
Power Handling: 25 Watts

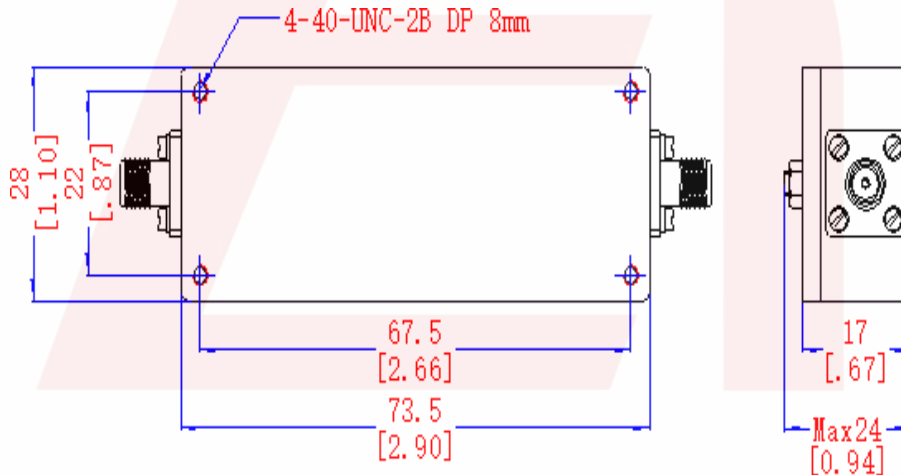
Mechanical

Mounting Method: Threaded Mounting Holes
Connector Type: SMA Female
Dimensions: 2.9" X 1.10" X 0.94" in

Environmental

Operating Temperature: -45 to +85° C
Storage Temperature: -55 to +95° C
Shock: 20 G. 11ms
Vibration: 20 G. 5 to 200 Hz

Outline Drawing:



2 decimal places: +/-0.01 inches [+/- 0.3mm]
3 decimal places: +/- 0.005 inches [+/- 0.13mm]
Angles: +/- 1 Deg.

When max dimensions are called out the above tolerances do not apply as long as it is under the max call out.

DS-B573-10232019-Rev1



Response Plot

