

High Frequency Ceramic Solutions

312-434 MHz Low Pass Filter. Lighting, Remote Control, Smart Home, Automotive Key Fobs, Location Services, AMR, AEC-Q200 Qualified

P/N: 0400LP15A0122

Detail Specification: 2/21/2018

Page 1 of 3

General Specifications

| | | | |
|---------------------------------|--------------------|--|--|
| Frequency (MHz) | 312 - 434 | Operating Temperature | -40 to +85°C |
| Insertion Loss (dB) | 0.9 Typ. (1.3 max) | Recommended Storage Conditions of unused product on T&R and period | +5 to +35 °C Humidity 45~75%RH 18 months |
| Return Loss (dB) | 15 Typ. (9.5 min) | | |
| Attenuation @ 624-630MHz (dB) | 28 Typ. (20 Min.) | | |
| Attenuation @ 800-900MHz (dB) | 30 Typ. (25 Min.) | Power Capacity | 2W max. (CW) |
| Attenuation @ 900-950MHz (dB) | 35 Typ. (30 Min.) | | |
| Attenuation @ 1575MHz (dB) | 38 Typ. (35 Min.) | | |
| Attenuation @ 1700-2100MHz (dB) | 34 Typ. (28 Min.) | | |
| Attenuation @ 2195-2205 (dB) | 38 Typ. (35 Min.) | | |
| Attenuation @ 2400-2600 (dB) | 30 Typ. (25 Min.) | | |



Do you need us to review your layout for free or may be looking for a small SMD antenna ?
Contact us at: www.johansontechnology.com/ask-a-question

Mechanical Dimensions

| | In | mm |
|---|--------------------|-----------------|
| L | 0.079 ± 0.004 | 2.00 ± 0.10 |
| W | 0.049 ± 0.004 | 1.25 ± 0.10 |
| T | 0.037 ± 0.004 | 0.95 ± 0.10 |
| a | 0.012 ± 0.004 | 0.30 ± 0.10 |
| b | 0.008 +.004/-0.006 | 0.20 +0.1/-0.15 |
| c | 0.012 ± 0.004 | 0.30 ± 0.10 |
| g | 0.014 ± 0.004 | 0.35 ± 0.10 |
| p | 0.026 ± 0.002 | 0.65 ± 0.05 |

Terminal Configuration

| No. | Function |
|-----|----------|
| 1 | GND |
| 2 | NC |
| 3 | GND |
| 4 | I/O |
| 5 | GND |
| 6 | NC |
| 7 | GND |
| 8 | I/O |

Mounting Considerations

Solder Resist
 Land
 RF GND Vias Through-hole (ϕ 0.3)

*Trace must be designed to a 50 Ω characteristic impedance based on PCB material and thickness. Grounded CPWG style trace recommended.

Want the layout file or need us to review your layout?
Send us a message at:
www.johansontechnology.com/ask-a-question

Johanson Technology, Inc. reserves the right to make design changes without notice.
All sales are subject to Johanson Technology, Inc. terms and conditions.



www.johansontechnology.com
4001 Calle Tecate • Camarillo, CA 93012 • TEL 805.389.1166 FAX 805.389.1821
Ver. 1.1

2018 Johanson Technology, Inc. All Rights Reserved

High Frequency Ceramic Solutions

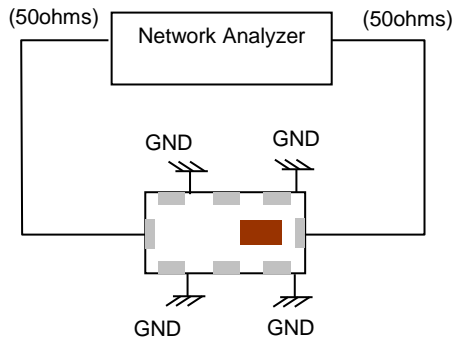
312-434 MHz Low Pass Filter. Lighting, Remote Control, Smart Home, Automotive Key Fobs, Location Services, AMR, AEC-Q200 Qualified

P/N: 0400LP15A0122

Detail Specification: 2/21/2018

Page 2 of 3

Measuring Diagram

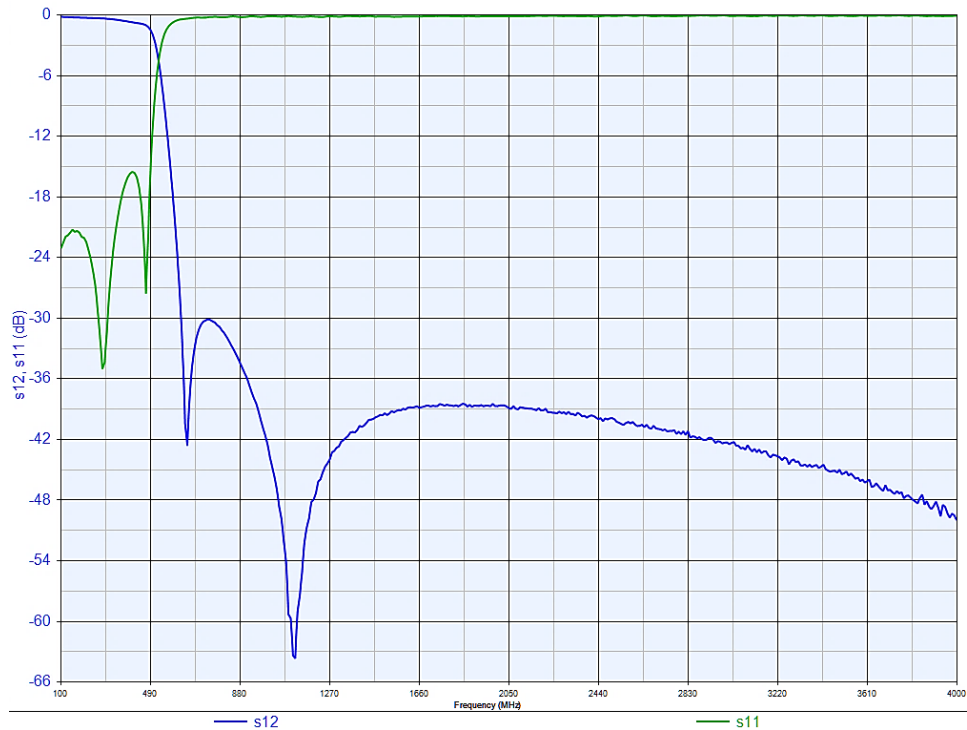


Click here Order the SMA-ready Evaluation Board p/n 0400LP15A0122-EB1SMA:
www.johansontechnology.com/request-a-

Want the layout file of this? Send us a message at:
www.johansontechnology.com/ask-a-question

Let us help with your filter (or Johanson antenna) layout for best performance and send us a message by clicking on the link above.

Typical Electrical Performance (T=25°C)



Johanson Technology, Inc. reserves the right to make design changes without notice.
All sales are subject to Johanson Technology, Inc. terms and conditions.



www.johansontechnology.com
4001 Calle Tecate • Camarillo, CA 93012 • TEL 805.389.1166 FAX 805.389.1821
Ver. 1.1 2018 Johanson Technology, Inc. All Rights Reserved

High Frequency Ceramic Solutions

312-434 MHz Low Pass Filter. Lighting, Remote Control, Smart Home,
Automotive Key Fobs, Location Services, AMR, AEC-Q200 Qualified

P/N: 0400LP15A0122

Detail Specification: 2/21/2018

Page 3 of 3

Part Number Explanation

| | | | | |
|------------|------------------------------|-------|---------------------------------------|-------------------------------|
| P/N Suffix | Packing Style | Bulk | Suffix = S | 0400LP15A0122S |
| | | T & R | Suffix = T | 0400LP15A0122E (Reel:4000pcs) |
| | 50Ω SMA Connector Eval Board | | 0400LP15A0122E-EB1SMA (orderable p/n) | |

Packaging information

www.johansontechnology.com/tape-reel-packaging

Soldering Information

www.johansontechnology.com/typical-soldering-profile

RoHS Compliance

www.johansontechnology.com/rohs-compliance

MSL Info

www.johansontechnology.com/msl-rating

To Download Measured S-parameters for Evaluation and Simulation:

www.johansontechnology.com/low-pass-filters

For layout review contact our Applications Team at:

www.johansontechnology.com/ask-a-question

Mini SMD Chip Antennas at:

www.johansontechnology.com/antennas

Johanson Technology, Inc. reserves the right to make design changes without notice.
All sales are subject to Johanson Technology, Inc. terms and conditions.



www.johansontechnology.com
4001 Calle Tecate • Camarillo, CA 93012 • TEL 805.389.1166 FAX 805.389.1821
Ver. 1.1

2018 Johanson Technology, Inc. All Rights Reserved