



ANATECH ELECTRONICS INC
RF & Microwave Filters & Products

1000 MHz LC Band Pass Filter

Part Number: AE1000B5460



Electrical Specifications

Center Frequency: 1000 MHz
3dB Passband: 840-1192 MHz
Insertion Loss: 4.0dB Max.
Return Loss: 14.0dB Min.
Rejection1: 40dB Min @ 710 MHz
Rejection2: 40dB Min @ 1408 MHz

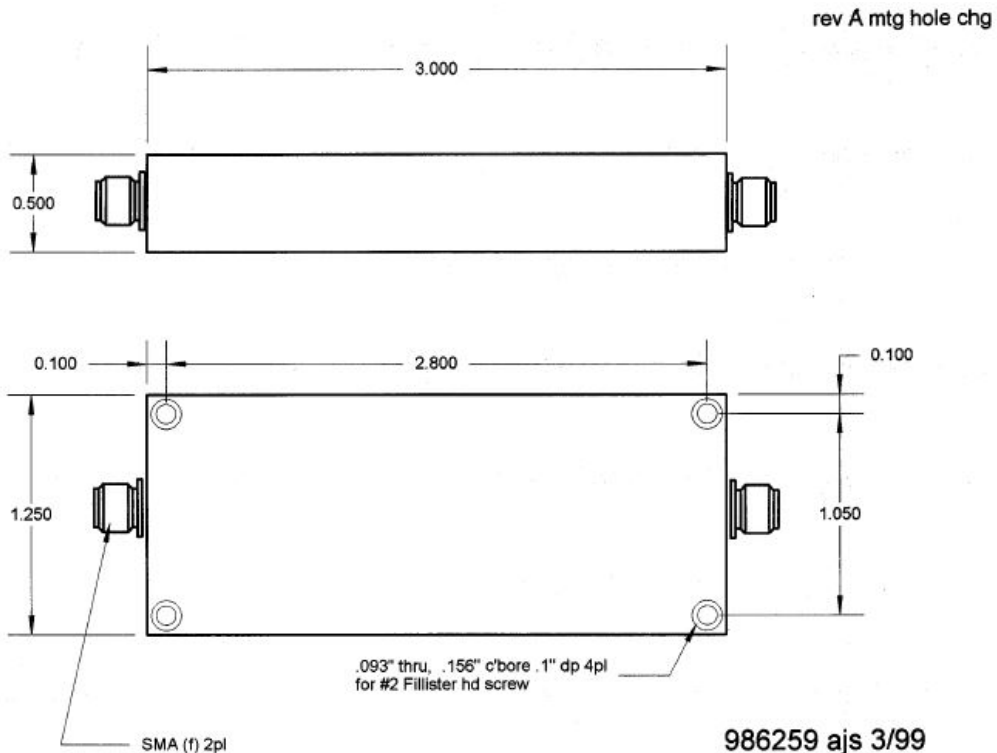
Mechanical

Mounting Method: Threaded Holes
Connector Type: SMA(F)
Dimensions: 3.0" X 1.25" x 0.5".

Environmental

Operating Temperature: -25°C to +70°C
Storage Temperature: -40°C to +90°C
Shock: 10 G. 11ms
Vibration: 10 G. 5 to 200Hz

Outline Drawing:



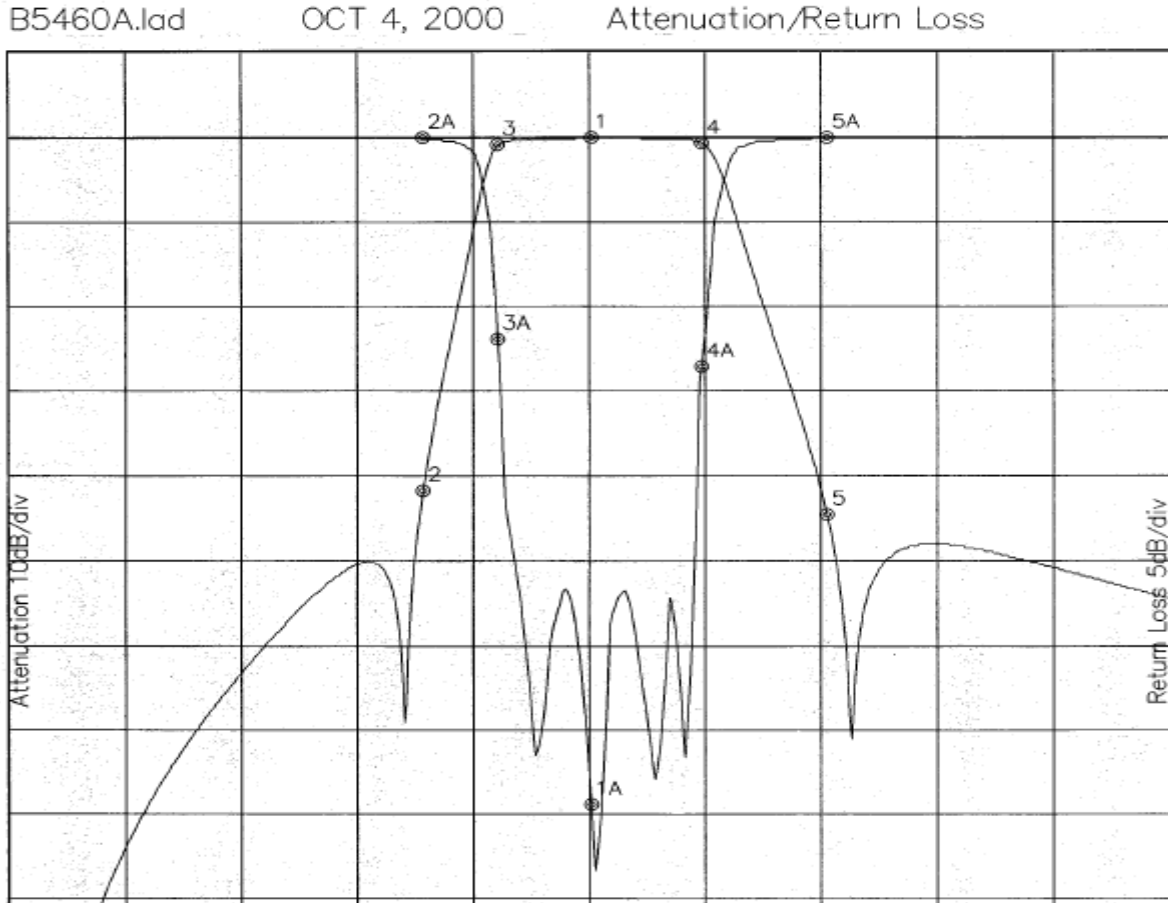
Tolerance: +/-0.01 inches [+/-0.3mm] Angles: +/-1 Deg.

*Tolerance as shown unless otherwise specified in the datasheet electrical specification tables above.

*When max dimensions are called out the above tolerances do not apply as long as it is under the max call out.



Simulation Plot:



Attenuation Start: 0.20GHz	Stop: 2.0GHz	Return Loss Start: 0.20GHz	Stop: 2.0GHz
Offset -0.2173dB			
Marker 1 Freq 1.002GHz Atten -0.094dB		Marker 1A Freq 1.002GHz Ret Loss -39.451dB	
Marker 2 Freq 710.82MHz Atten -41.666dB		Marker 2A Freq 710.82MHz Ret Loss -0.042dB	
Marker 3 Freq 840.06MHz Atten -0.971dB		Marker 3A Freq 840.06MHz Ret Loss -11.966dB	
Marker 4 Freq 1.192GHz Atten -0.626dB		Marker 4A Freq 1.192GHz Ret Loss -13.634dB	
Marker 5 Freq 1.409GHz Atten -44.470dB		Marker 5A Freq 1.409GHz Ret Loss 0.012dB	

Note: This is a simulated response plot. Actual performance might differ.