



**Electrical Specifications**

**Center Frequency:** 455 MHz  
**-3dB Pass Band:** 450-460 MHz Max  
**Insertion Loss:** 5.75 dB Max at 455 MHz  
**Return Loss:** 14 dB Min  
**Ripple:** 0.2 dB; Goal 0.05dB  
**Stopbands:** >20 dB @ 446 & 465 MHz  
                   >30 dB @ 445 & 468 MHz  
                   >40 dB @ 440 & 475 MHz  
                   >50 dB @ 435 & 480 MHz  
                   >60 dB @ 430 & 485 MHz

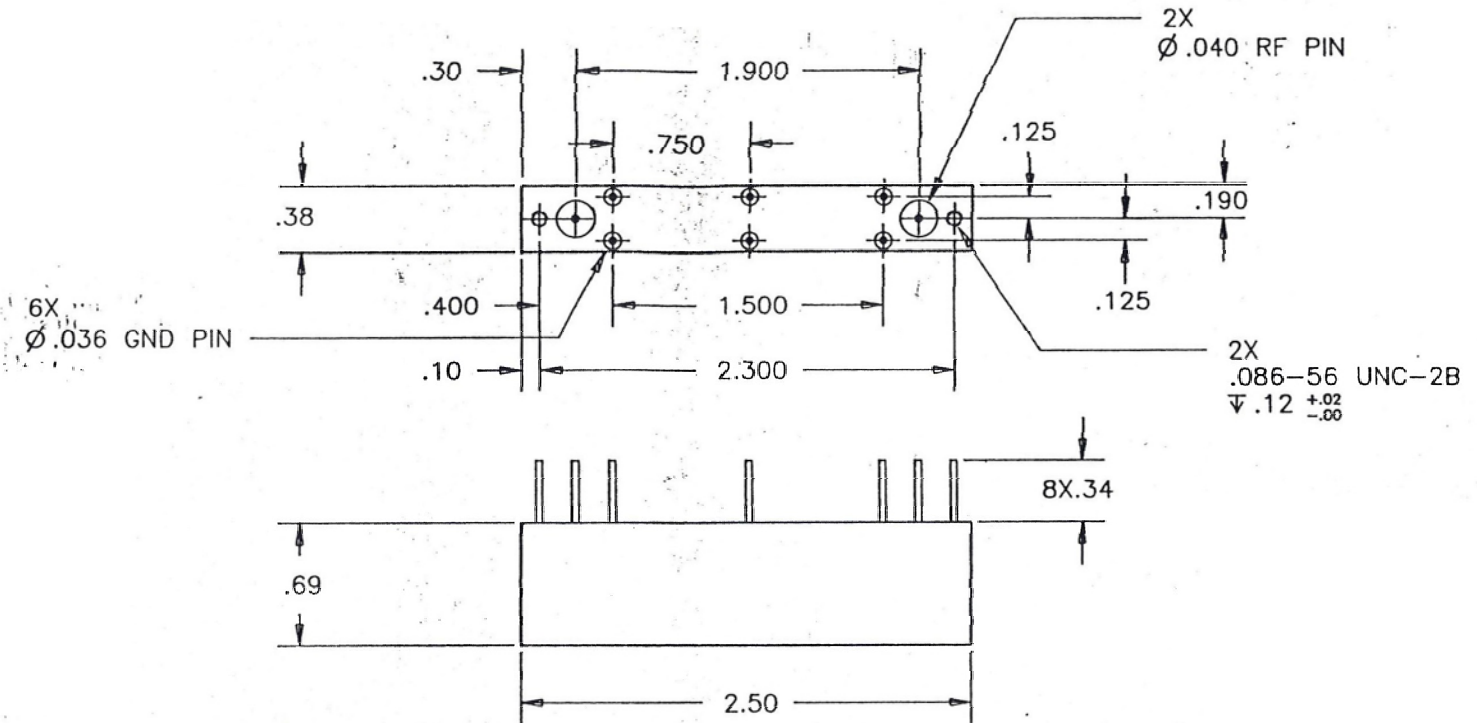
**Mechanical**

**Connector Type:** RF Pins  
**Dimensions:** 2.50 x 0.38 x 0.69 Inches

**Environmental**

**Operating Temperature:** -30 to +85° C  
**Storage Temperature:** -40 to +95° C  
**Shock:** 20 G. 11 ms  
**Vibration:** 20 G. 5 to 200 MHz

**Outline Drawing:**



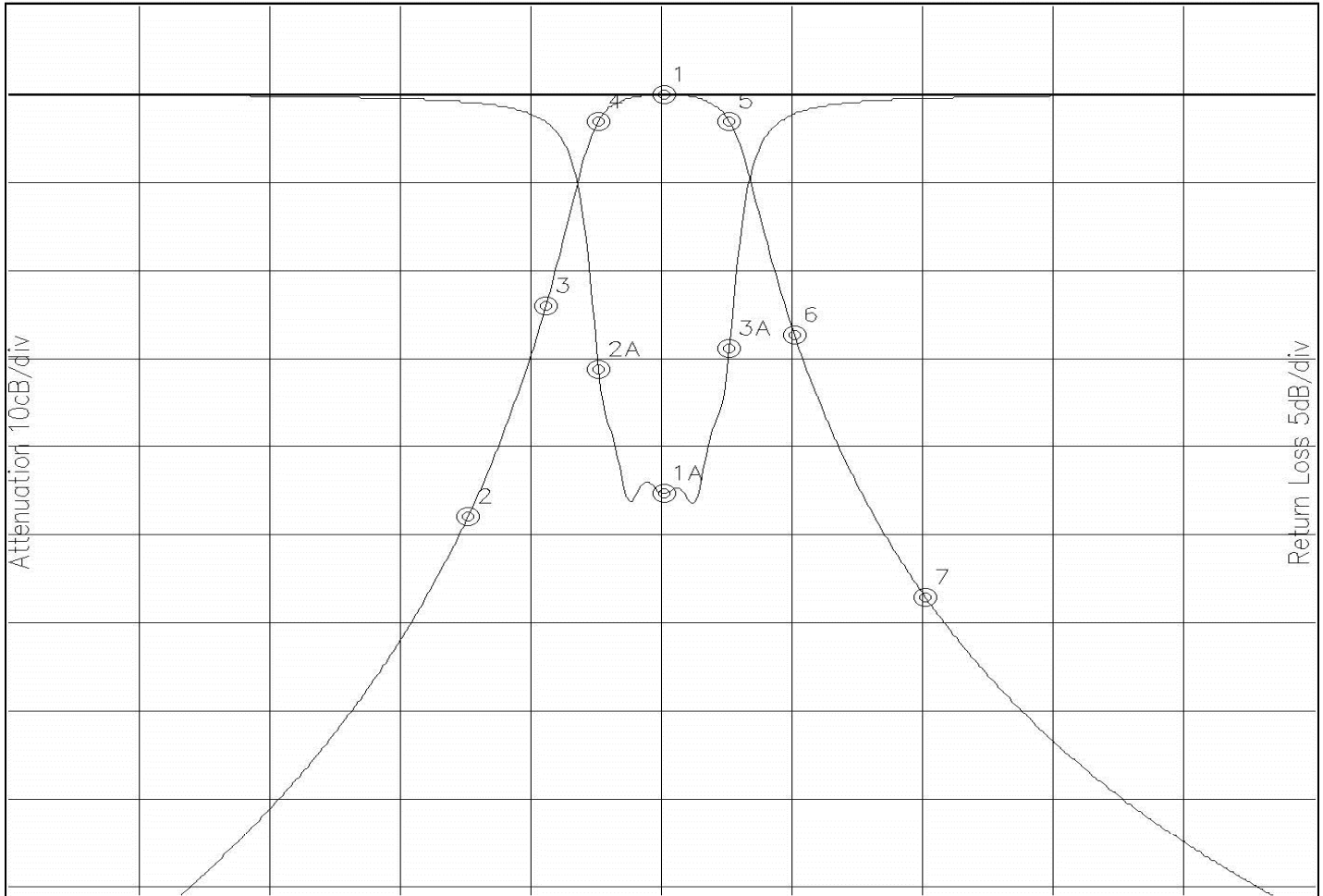


**Response Plot:**

A508.lad

DEC 10, 2015

Attenuation/Return Loss



Attenuation Start: 405.0MHz Stop: 505.0MHz

Return Loss Start: 405.0MHz Stop: 505.0MHz

Offset -5.2173dB

Marker 1 Freq 455.08MHz Atten 0.080dB  
 Marker 2 Freq 440.05MHz Atten -47.825dB  
 Marker 3 Freq 446.03MHz Atten -23.807dB  
 Marker 4 Freq 450.07MHz Atten -3.017dB  
 Marker 5 Freq 460.08MHz Atten -3.084dB  
 Marker 6 Freq 465.09MHz Atten -27.205dB  
 Marker 7 Freq 475.11MHz Atten -56.857dB

Marker 1A Freq 455.08MHz Ret Loss -22.625dB  
 Marker 2A Freq 450.07MHz Ret Loss -15.588dB  
 Marker 3A Freq 460.08MHz Ret Loss -14.377dB