



Electrical specifications

Center Frequency: 1500 MHz
Input / Output Impedance: 50 Ohms
Passband: 1000-2000 MHz
Passband Insertion Loss: <3 dB
Passband Ripple: <0.2 dB
Passband Return Loss: >15 dB
Rejection: >10 dB @ 0-950 MHz
Rejection 2: >10 dB @ 2150-5000 MHz
Power Handling: 15 W

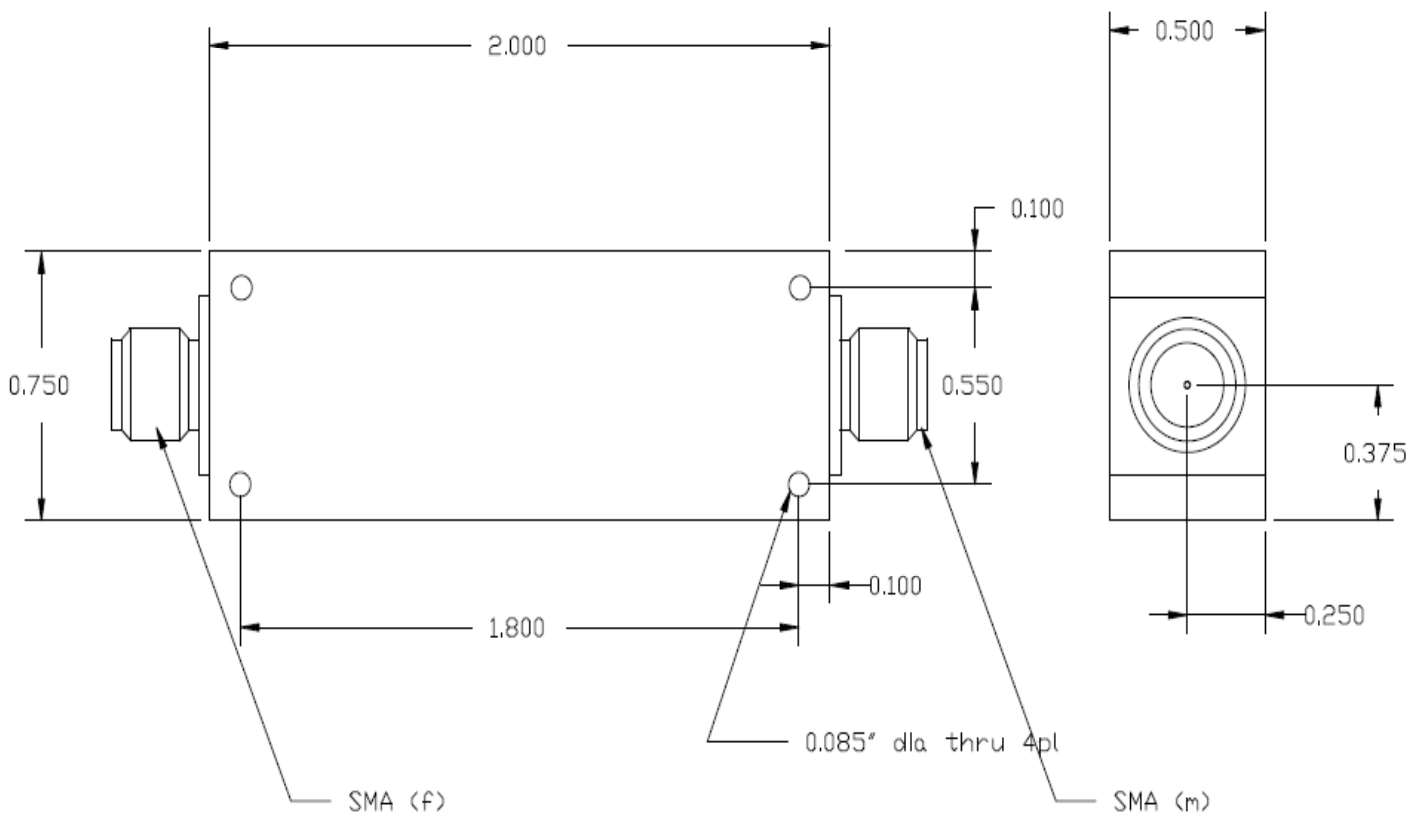
Mechanical

Mounting Method: Threaded Mounting Holes
Connector Type: SMA (M) and SMA (F)
Dimensions: 2" x .750" x .500"

Environmental

Operating Temperature: -45 to +85 deg.C
Storage Temperature: -55 to +95 deg.C
Shock: 20 G. 11ms
Vibration: 20 G. 5 to 200 MHz

Outline Drawing:





ANATECH ELECTRONICS INC
RF & Microwave Filters & Products

1500 MHz Cavity Bandpass Filter

Part Number: AE1500B10274



Response Plot:

