



Electrical specifications

Center Frequency: 1625 MHz
Insertion loss @1625 MHz: =/ <3 dB
Passband: 1613-1637 MHz
Rejection 1: 70 dB@ 1500 MHz
Rejection 2: 70 dB@ 1750 MHz

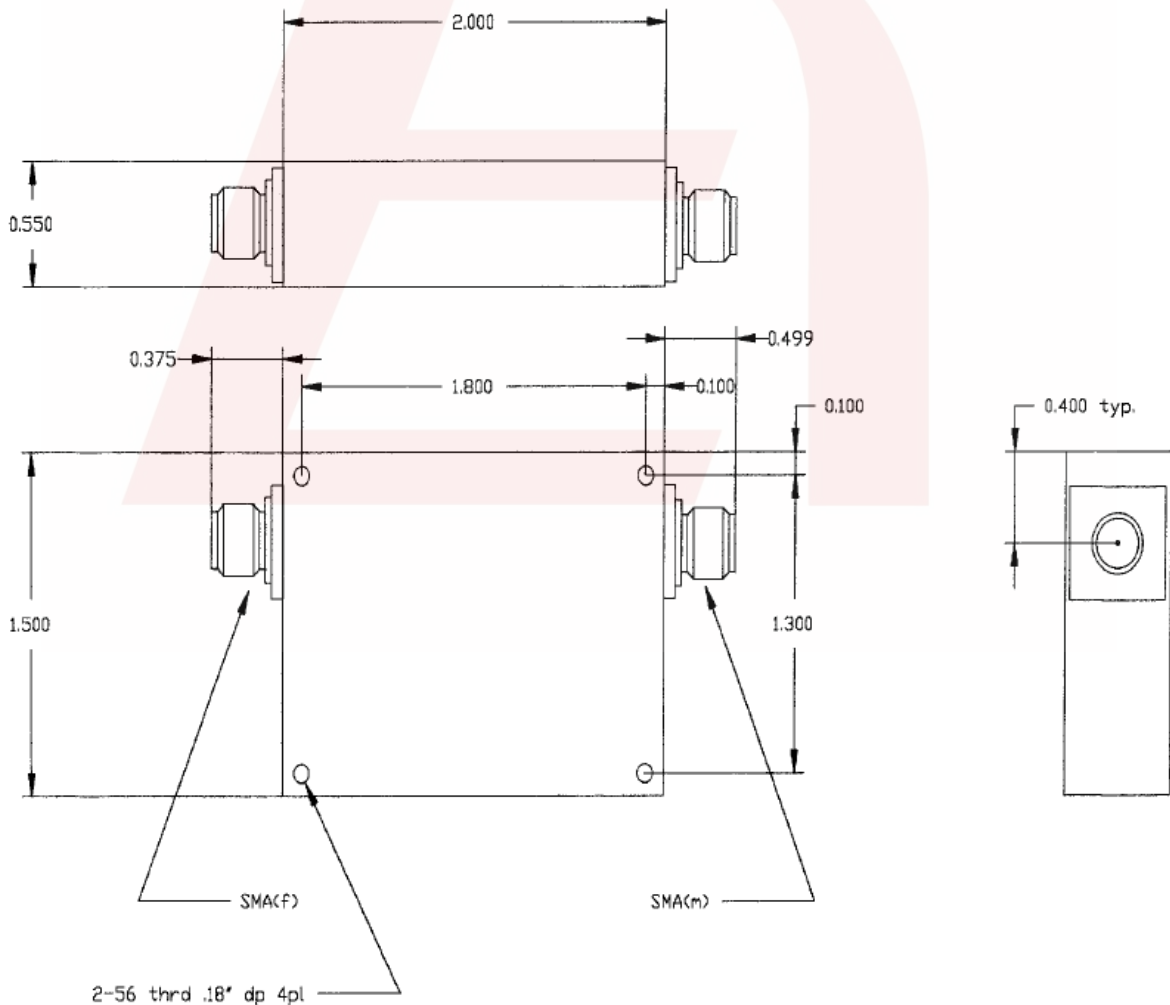
Mechanical

Mounting Method: Threaded Mounting Holes
Connector Type: SMA Female
Dimensions: 2.00 X 1.80" X 1.50" in

Environmental

Operating Temperature: -45 to +85° C
Storage Temperature: -55 to +95° C
Shock: 20 G. 11ms
Vibration: 20 G. 5 to 200 MHz

Outline Drawing:





1625 MHz Cavity Bandpass Filter



ANATECH ELECTRONICS INC
RF & Microwave Filters & Products

Part Number: AB1625B881

Plot:

