



Electrical Specifications

Center Frequency: 659 MHz
Bandwidth: 18 MHz
Pass Band: 650-668 MHz
Insertion Loss: 1.0 dB Max
VSWR: 1.40:1 Max
Rejection: ≥ 50 dB @ $F_o \pm 23$ MHz
Impedance: 50 Ohms In/Out
Power: 10 W CW

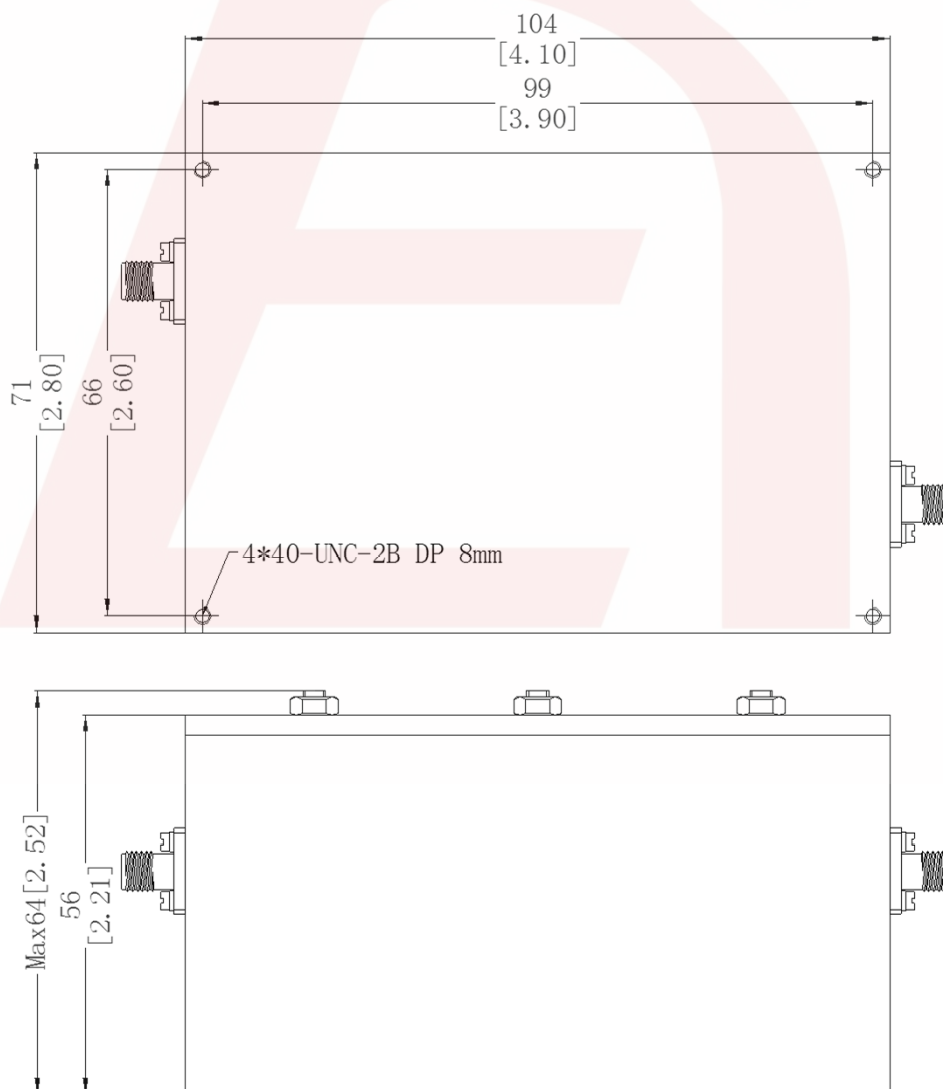
Mechanical

Connector Type: SMA (F)
Dimensions: 4.10 x 2.80 x 2.52 Inches

Environmental

Operating Temperature: -45 to +85°C
Storage Temperature: -55 to +95°C
Shock: 20 G. 11ms
Vibration: 20 G. 5 to 200 Hz

Outline Drawing:



DS-B1372-08052021-Rev0