



### Electrical Specifications

**Cutoff Frequency (Fc):** 125 MHz  
**Passband:** 125-1000 MHz  
**Passband Insertion Loss:** 0.5 dB Max  
**Return Loss:** 15 dB Min  
**Rejection:** 30 dB Min@0-100 MHz  
**Power Handling:** 100 W

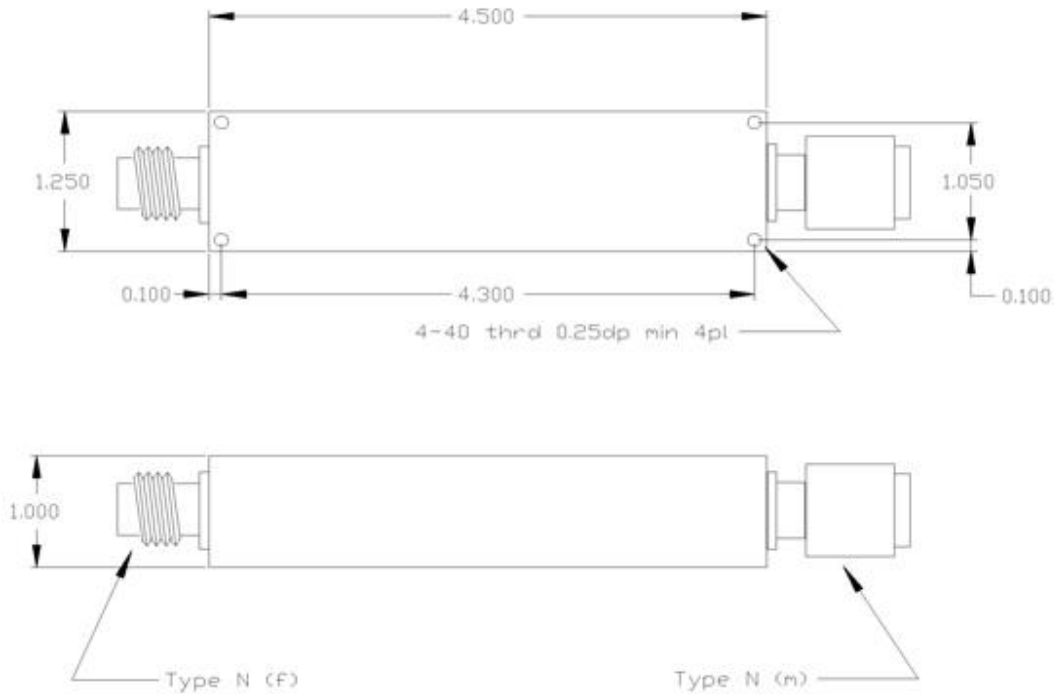
### Mechanical

**Connector Type:** N (M / F)  
**Dimensions:** 4.5 x 1.25 x 1 Inches

### Environmental

**Operating Temperature:** -40 to +70° C  
**Storage Temperature:** -50 to +90° C

### Outline Drawing:



Dwg 988565