



# 3500 MHz Cavity Band Pass Filter

Part Number: AB3500B1279

**ANATECH ELECTRONICS INC**  
RF & Microwave Filters & Products



## Electrical specifications

**Center frequency:** 3500 MHz  
**Frequency range:** 3400-3600 MHz  
**Insertion loss:**  $\leq 1.0$  dB  
**VSWR:**  $\leq 1.3$  dB  
**Rejection 1:**  $\geq 55$  dB@3300 MHz  
**Rejection 2:**  $\geq 55$  dB@3700 MHz  
**Power:** 50 Watts max

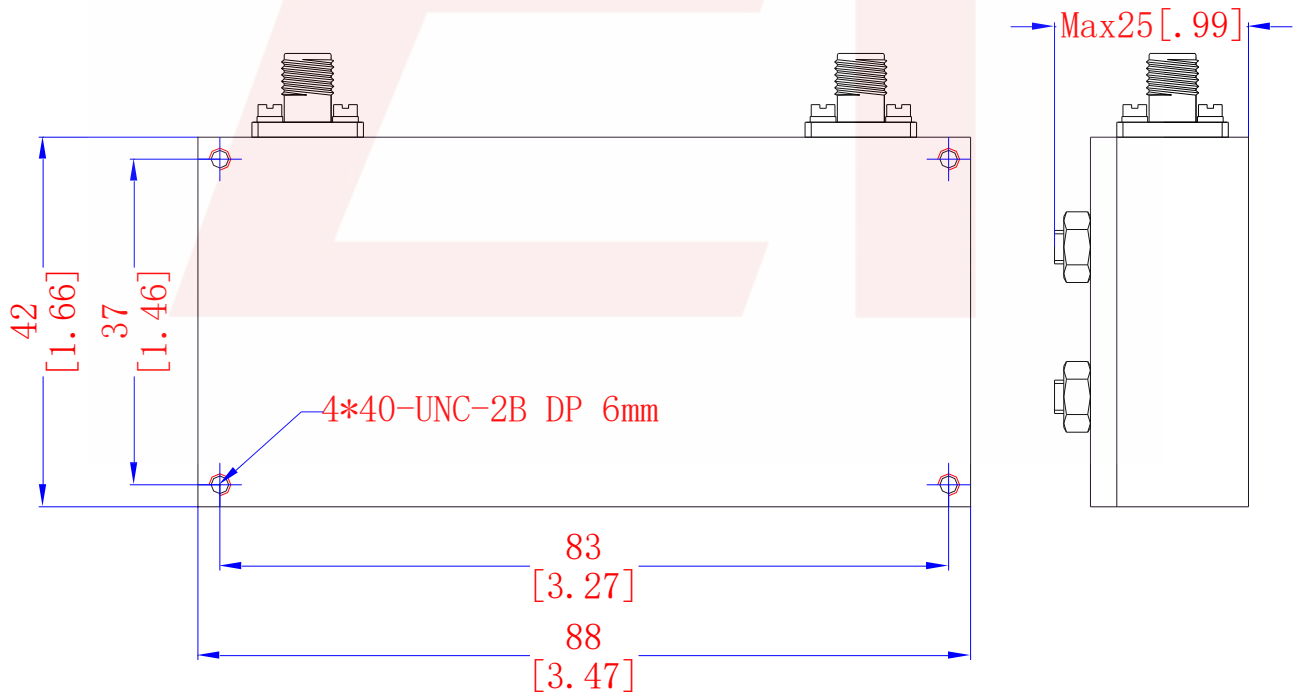
## Mechanical

**Mounting Method:** Threaded Mounting Holes  
**Connector Type:** SMA Female  
**Dimensions:** 3.47" x 1.66" x 0.99" in  
**Surface finish:** Black

## Environmental

**Operating Temperature:** -45 to +85° C  
**Storage Temperature:** -55 to +95° C  
**Shock:** 20 G. 11ms  
**Vibration:** 20 G. 5 to 200 MHz

## Outline Drawing:





**ANATECH ELECTRONICS INC**  
RF & Microwave Filters & Products

# 3500 MHz Cavity Band Pass Filter

Part Number: AB3500B1279



## Response Plot:

