



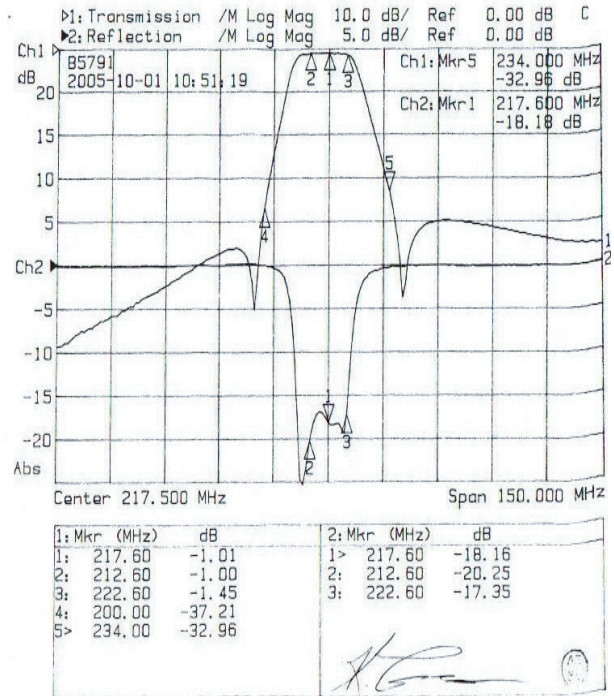
217.775 MHz Bandpass Filter

Part Number: AE217B5791

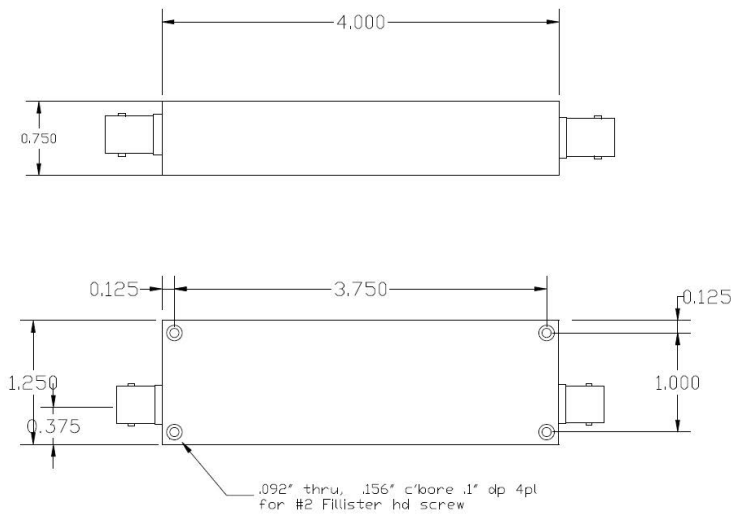
Response Plot:

Specifications:

- Center Frequency: 217.775 MHz
- Passband Ripple: <0.1 dB
- Return Loss at Center Frequency: >1.5
- Insertion Loss <1.2dB
- Rejection: >30dB @ 0-200 MHz
- >30dB @ 234-600 MHz



Outline Drawing:



Connector Type: BNC (F) 2 Pl