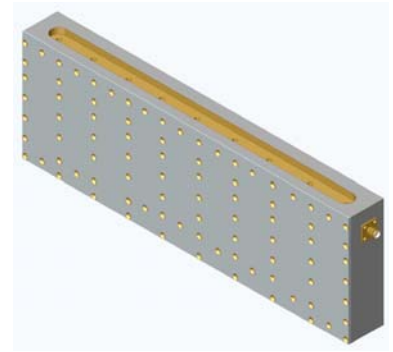




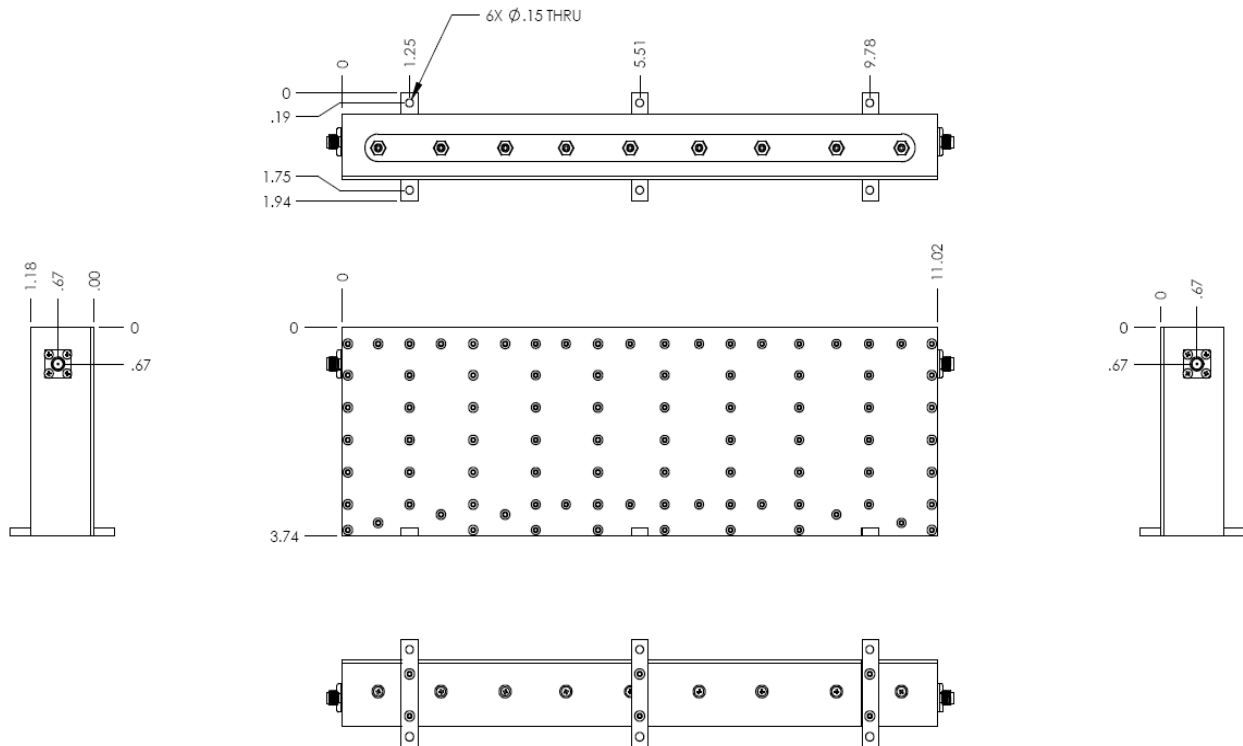
932.5 MHz Bandstop Notch Filter

Part Number: AE932NS2125

Spec item	Specifications
Reject Band	915-950 MHz
Reject Attenuation	50dB min
Passband	400 – 905 & 960 to 2500MHz
Passband Loss	1.5dB max @400-905 & 960-2500MHz
Return Loss in Passband	14 dB min = VSWR 1.5:1 max
Operating Temperature	+15°C to + 40°C
Dimensions	11.02 x 3.74 x 1.18 inches
Connector	SMA-Female
Power Handling	50 Watts Max



Outline Drawing:

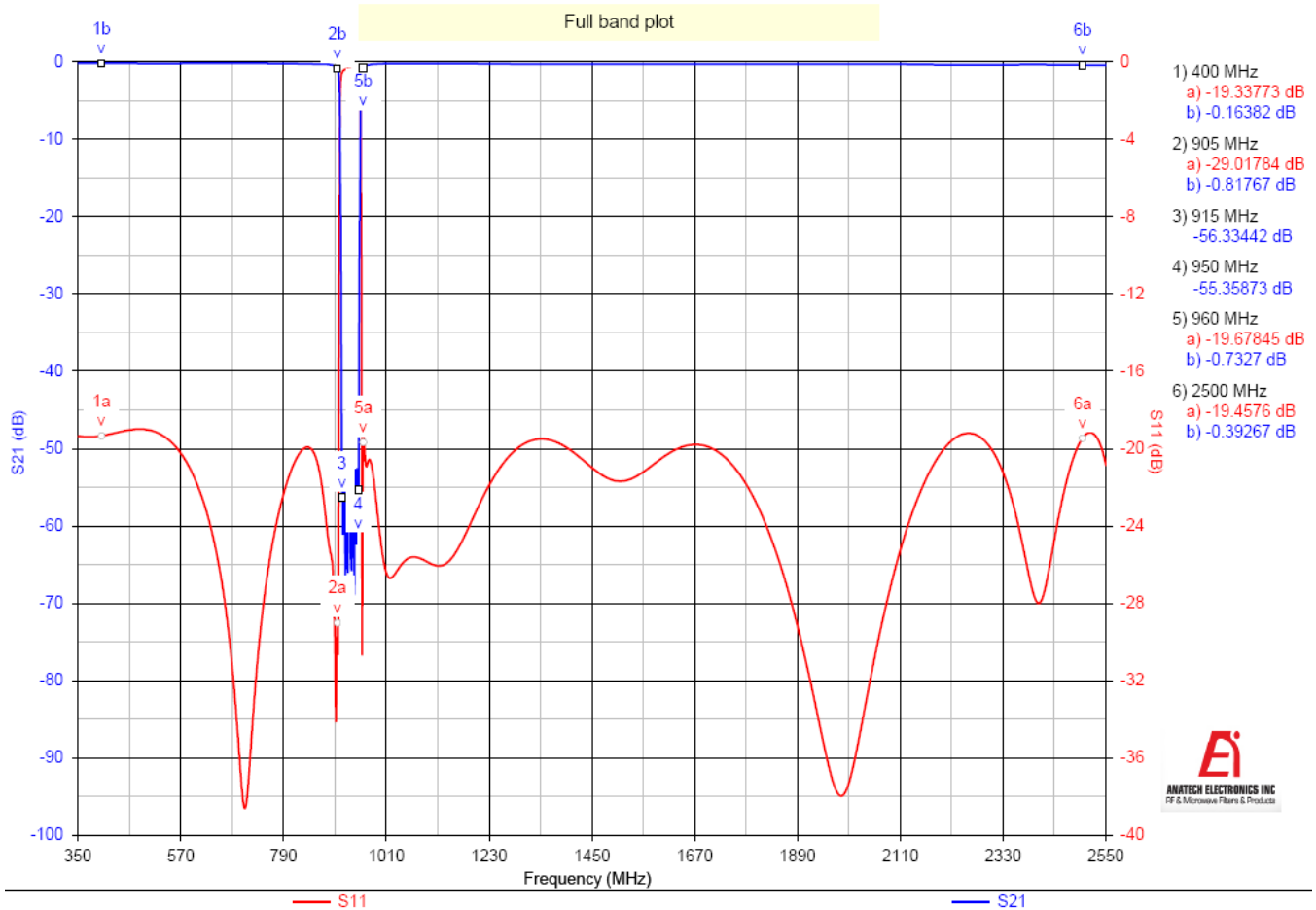




932.5 MHz Bandstop Notch Filter

Part Number: AE932NS2125

Response Plots:





932.5 MHz Bandstop Notch Filter

Part Number: AE932NS2125

Response Plots:

