



**Electrical specifications**

**Center Frequency:** 155 MHz  
**Passband:** 135-175 MHz  
**Fc Insertion Loss:** <1 dB  
**Return Loss Passband:** >15 dB  
**Rejection:** >70 dB @ 0-30 MHz  
**Rejection 2:** >54 dB @ 55 MHz  
**Rejection 3:** >23 dB @ 225 MHz  
**Rejection 4:** >29 dB @ 246-2500 MHz  
**Input / Output Impedance:** 50 Ohms  
**Power Handling:** 10 Watts Max

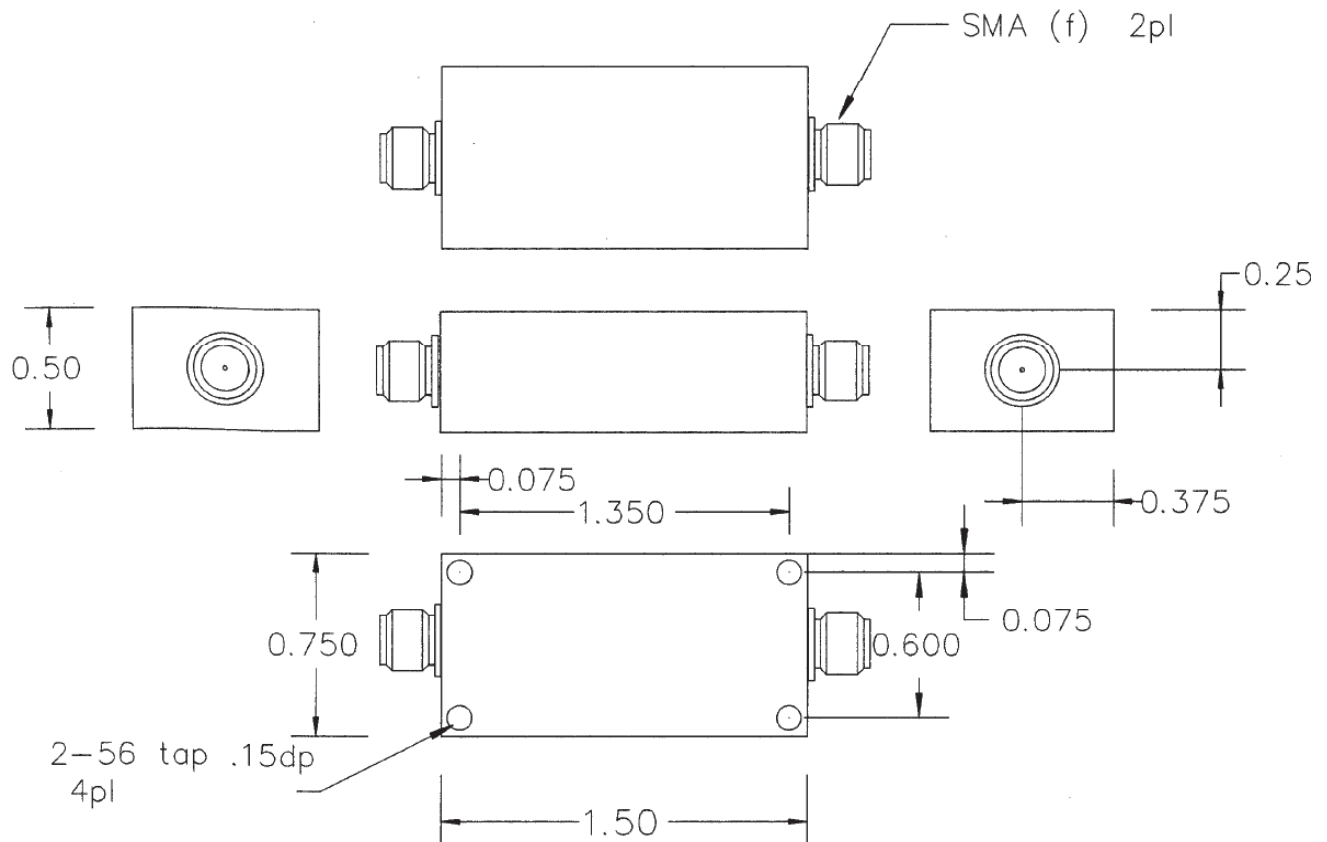
**Mechanical**

**Connector Type:** SMA (F)  
**Dimensions:** 1.5 x 0.75 x 0.5 inches

**Environmental**

**Operating Temperature:** -45 to +85 deg.C  
**Storage temperature:** -65 to +95 deg.C  
**Shock:** 20 G's, ½ sine, 11ms  
**Vibration:** 10 G's, 10-2000Hz  
**Relative Humidity:** 0-95%

**Outline Drawing:**





**ANATECH ELECTRONICS INC**  
RF & Microwave Filters & Products

# 155 MHz Bandpass Filter

## Part Number: AE155B9993



### Response Plot:

