



**ANATECH ELECTRONICS INC**  
RF & Microwave Filters & Products

# 355 KHz LC Band Pass Filter

**Part Number: AE355KB5438**



## Electrical Specifications

**Center Frequency:** 355 KHz  
**3dB Bandwidth:** 124 KHz  
**3dB Passband:** 297-421 KHz  
**Insertion Loss:** 4.0 dB Max.  
**Return Loss:** 14 dB Min.  
**Rejection1:** 40 dB Min @ 251 KHz  
**Rejection2:** 40 dB Min @ 498 KHz  
**Power Handling:** 10 W

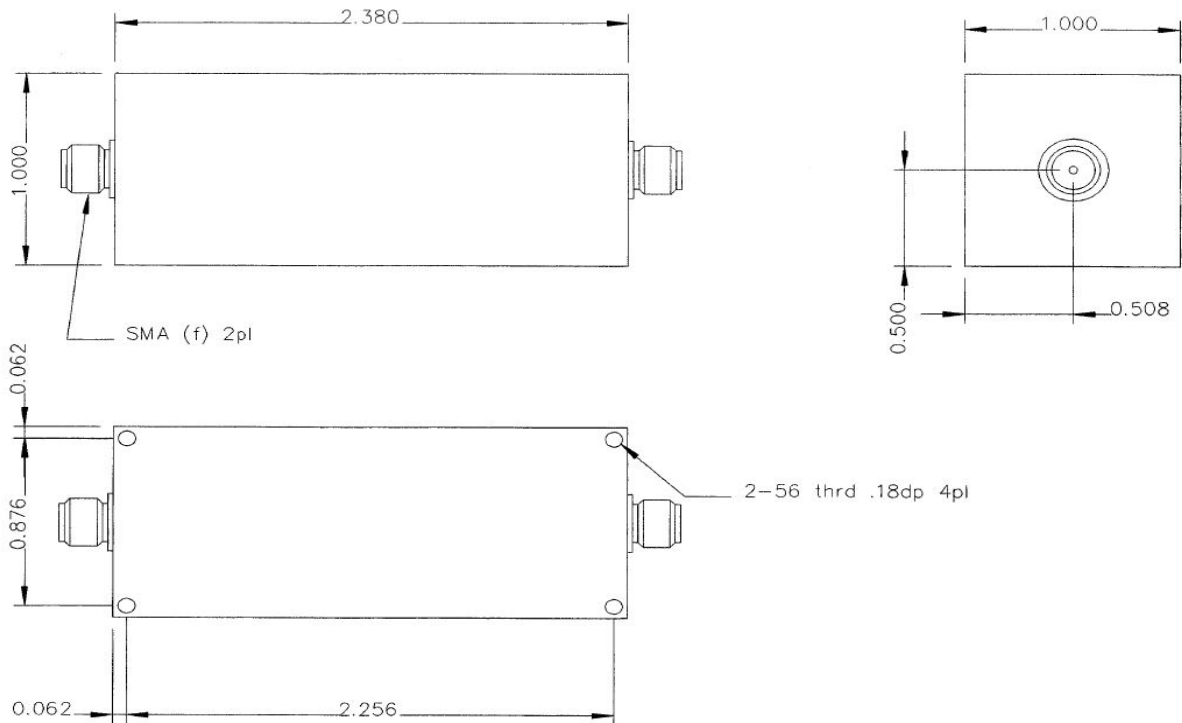
## Mechanical

**Mounting Method:** Threaded Holes  
**Connector Type:** SMA(F)  
**Dimensions:** 2.38" X 1.0" x 1.0".

## Environmental

**Operating Temperature:** -25°C to +70°C  
**Storage Temperature:** -40°C to +90°C  
**Shock:** 10 G. 11ms  
**Vibration:** 10 G. 5 to 200Hz

## Outline Drawing:



Tolerance: +/-0.01 inches [+/- 0.3mm]

Angles: +/- 1 Deg.

\*Tolerance as shown unless otherwise specified in the datasheet electrical specification tables above.

\*When max dimensions are called out the above tolerances do not apply as long as it is under the max call out.

**70 Outwater Lane Phone: (973) 772-4242**  
**Garfield, NJ 07026 Fax : (973) 321-3941**

**Email: [sales@anatechelectronics.com](mailto:sales@anatechelectronics.com)**  
**Web: [www.anatechelectronics.com](http://www.anatechelectronics.com)**



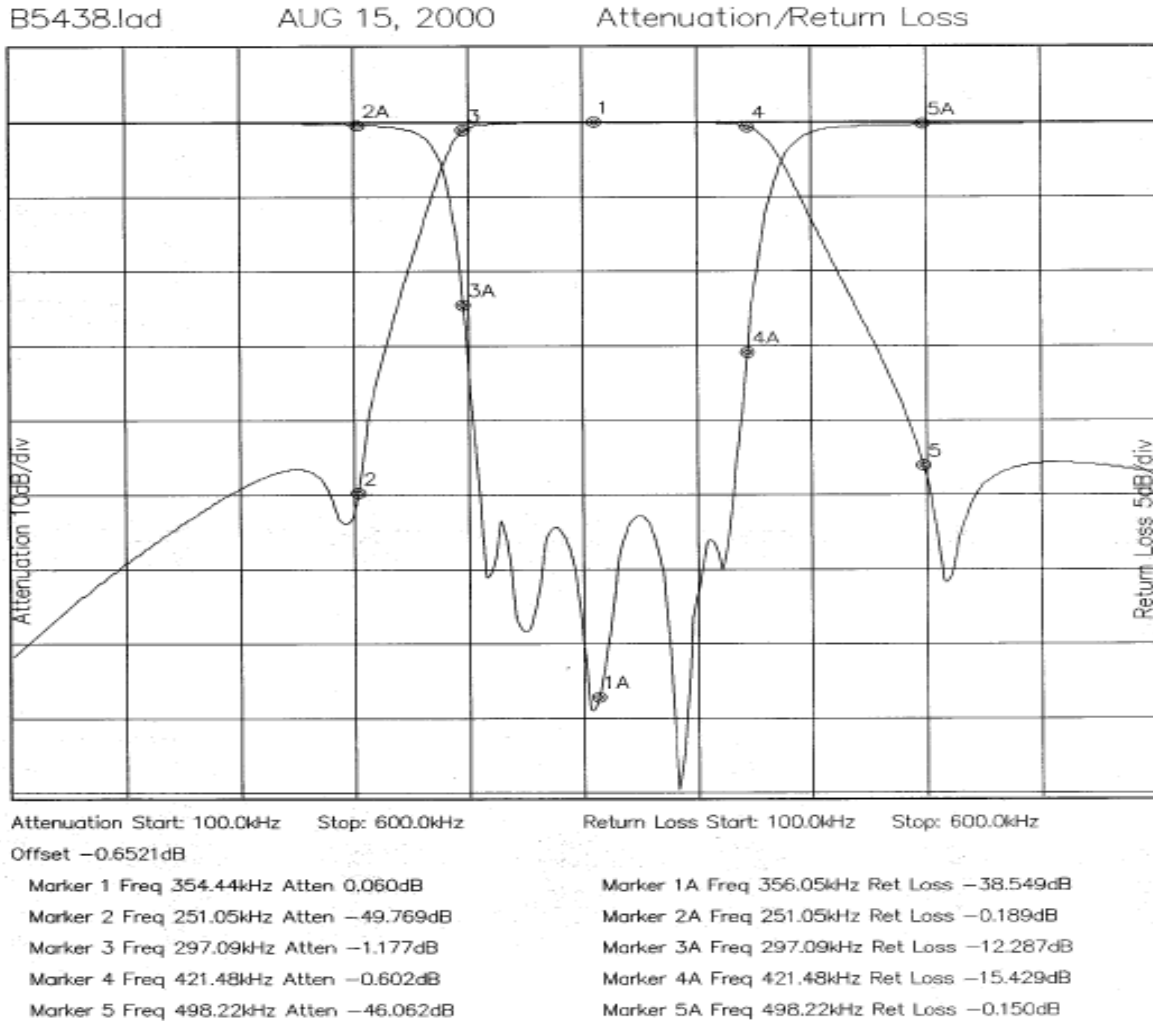
**ANATECH ELECTRONICS INC**  
RF & Microwave Filters & Products

# 355 KHz LC Band Pass Filter

Part Number: AE355KB5438



## Simulation Plot:



Note: This is a simulated response plot. Actual performance might differ.