



**Electrical Specifications**

**Center Frequency:** 60 MHz  
**-3dB Bandwidth:** 8.85 Min, 10.15 Max  
**Insertion Loss:** 3.0 dB Max at 60 MHz  
**In/Out VSWR:** 1.30:1 Max  
**Stopbands:** >60 dB @ 30 MHz  
                   >60 dB @ 90 MHz  
                   >40 dB @ 90-500MHz  
**Phase Linearity:**  $\pm 2^\circ$  Max at 55-65 MHz

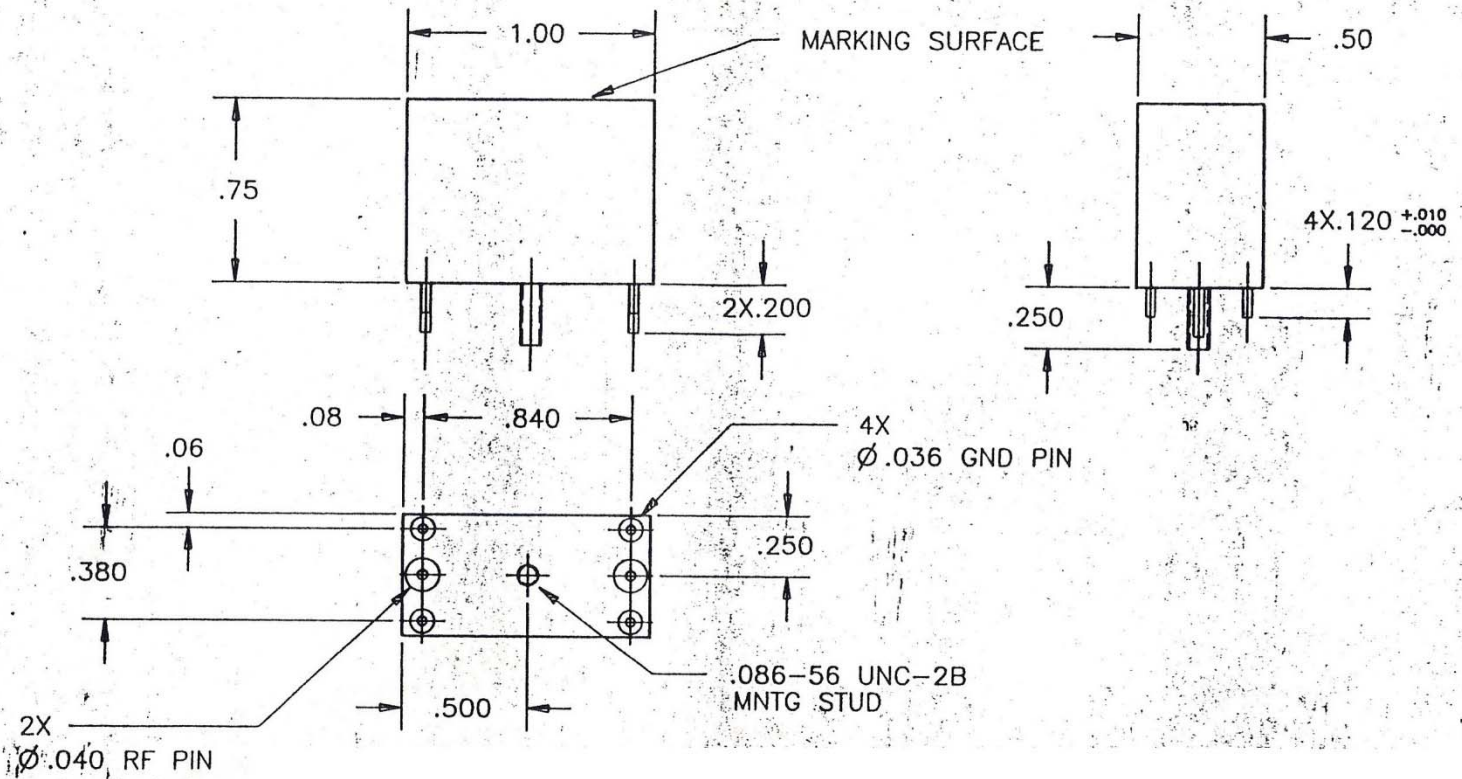
**Mechanical**

**Connector Type:** RF Pins  
**Dimensions:** 1.00 x 0.50 x 0.75 Inches

**Environmental**

**Operating Temperature:** -30 to +85° C  
**Storage Temperature:** -40 to +95° C  
**Shock:** 20 G. 11 ms  
**Vibration:** 20 G. 5 to 200 MHz

**Outline Drawing:**



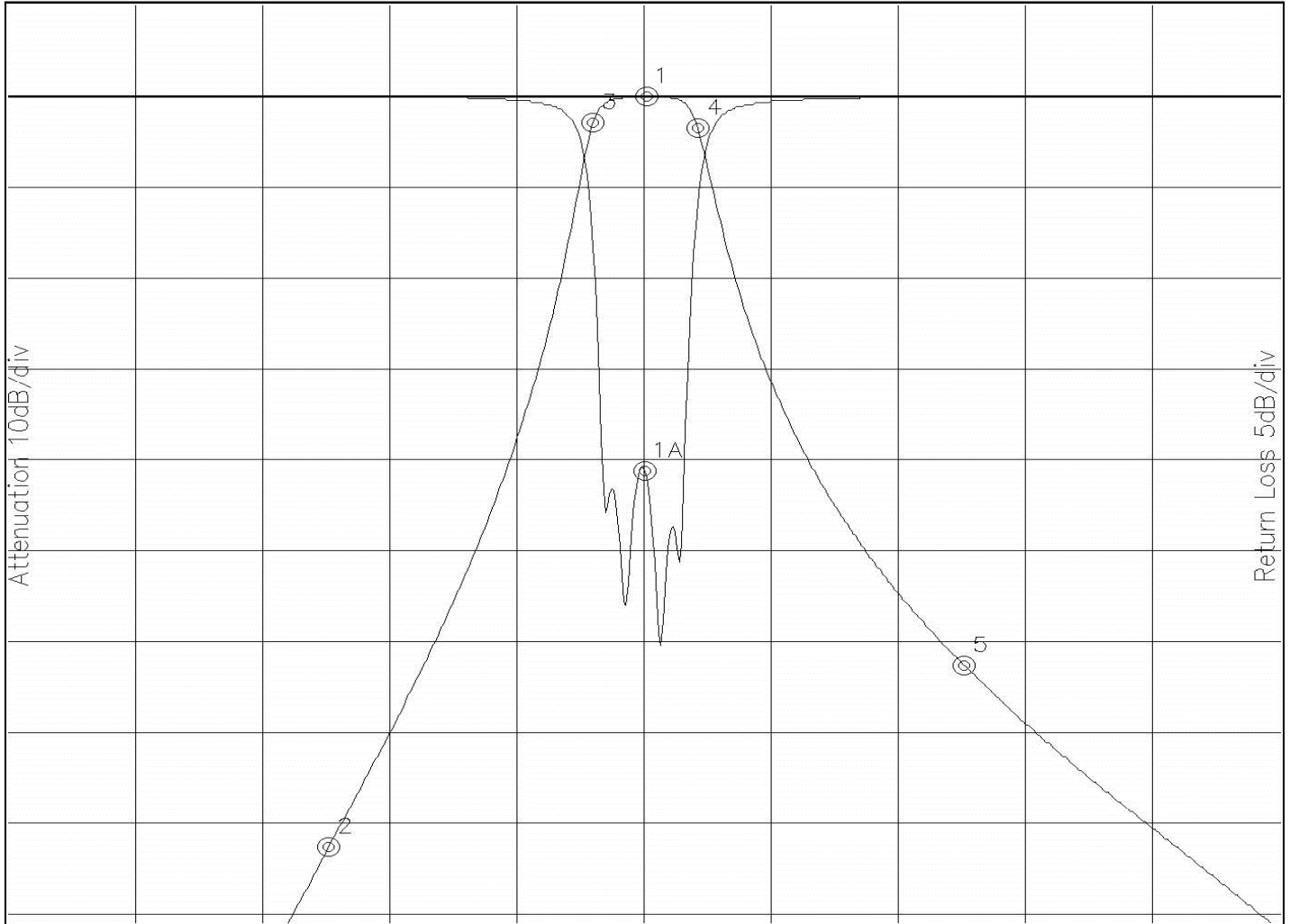


### Response Plot:

A507.lad

DEC 9, 2015

Attenuation/Return Loss



Attenuation Start: 0.012Hz Stop: 120.0MHz

Return Loss Start: 0.012Hz Stop: 120.0MHz

Offset -1.9565dB

- Marker 1 Freq 60.097MHz Atten 0.043dB
- Marker 2 Freq 30.048MHz Atten -82.419dB
- Marker 3 Freq 55.057MHz Atten -2.825dB
- Marker 4 Freq 64.943MHz Atten -3.478dB
- Marker 5 Freq 90.145MHz Atten -62.466dB

Marker 1A Freq 59.903MHz Ret Loss -20.495dB