



# 2370 MHz Cavity Bandpass Filter

Part Number: AB2370B867



**ANATECH ELECTRONICS INC**  
RF & Microwave Filters & Products

## Electrical specifications

**Center Frequency:** 2370 MHz  
**1dB Bandwidth:** 40 MHz (+/- 5 MHz)  
**50dB Bandwidth:** 75 MHz (+/-10 MHz)  
**Input / Output Impedance:** 50 Ohms  
**Passband:** 2350 – 2390 MHz  
**Passband Insertion Loss:** 1.5dB max@2350-2390 MHz  
**Passband Ripple:** 0.5 dB max  
**Passband Return Loss:** 14dB  
**Rejection:** >50 dB @ 2332.5 MHz  
**Rejection 2:** >50 dB @ 2407.5 MHz  
**Power Handling:** 12 W CW

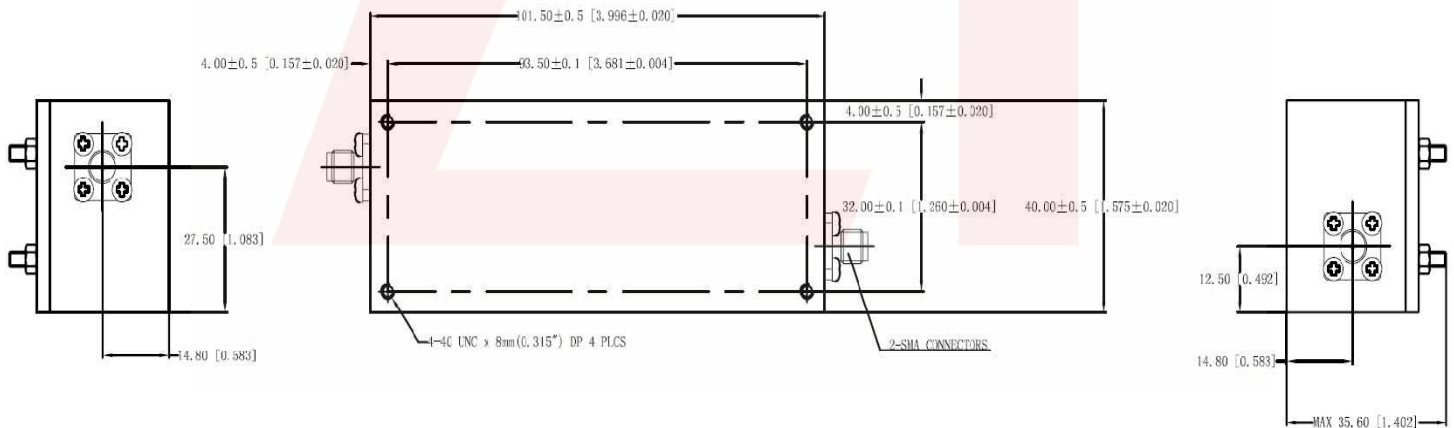
## Mechanical

**Mounting Method:** Threaded Mounting Holes  
**Connector Type:** SMA Female  
**Dimensions:** 101.5 x 40 x 35.6 mm.

## Environmental

**Operating Temperature:** -45 to +85 deg.C  
**Storage Temperature:** -55 to +95 deg.C  
**Shock:** 20 G. 11ms  
**Vibration:** 20 G. 5 to 200 MHz

## Outline Drawing:





**ANATECH ELECTRONICS INC**  
RF & Microwave Filters & Products

# 2370 MHz Cavity Bandpass Filter

## Part Number: AB2370B867



### Response Plot:

