



ANATECH ELECTRONICS INC
RF & Microwave Filters & Products

548 MHz Bandpass Filter

Part Number: AE548B9620



Electrical specifications

Center Frequency: 548 MHz
Insertion Loss @ Fc: 1 dB Max.
Passband: 518-578 MHz Flatness <3 dB
Return Loss: 14 dB Min @ 525-565 MHz
Rejection1: 50 dB Min @ 0-448 MHz
Rejection 2: 50 dB Min @ 648-2000 MHz
Input / Output Impedance: 50 Ohms
Power Handling : 25 Watts

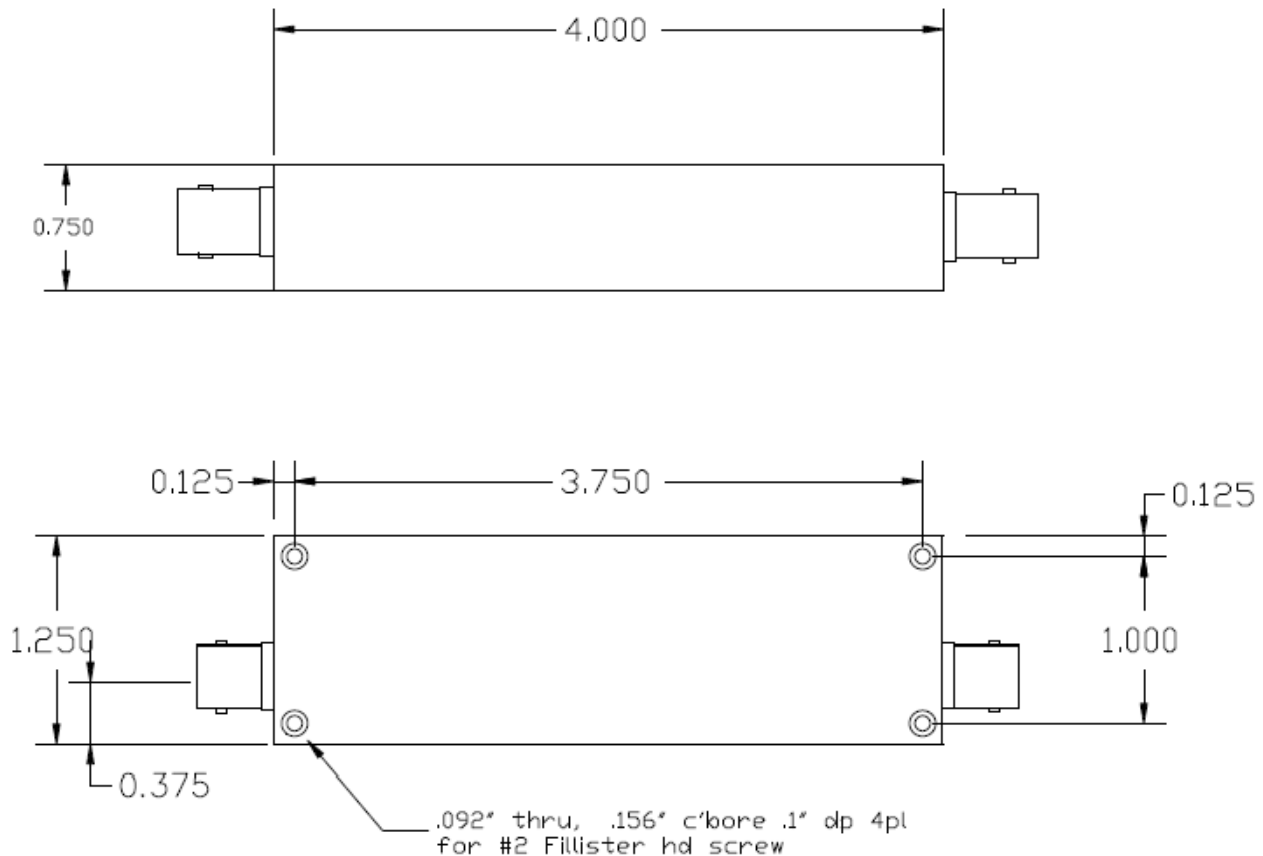
Mechanical

Connector Type: BNC (F)
Dimensions: 4 x 1.25 x 0.75 inches

Environmental

Operating Temperature: -45 to +85 deg.C
Storage temperature: -65 to +95 deg.C
Shock: 20 G's, ½ sine, 11ms
Vibration: 10 G's, 10-2000Hz
Relative Humidity: 0-95%

Outline Drawing:



2 decimal places: +/-0.01 inches [+/-0.3mm] Connector Type: BNC (F) 2 Pl
 3 decimal places: +/-0.005 inches [+/-0.13mm]
 Angles: +/-1 Deg.

When max dimensions are called out the above tolerances do not apply as long as it is under the max call out.