



# 2579.5 MHz Cavity Bandpass Filter



**ANATECH ELECTRONICS INC**  
RF & Microwave Filters & Products

**Part Number: AE2579.5B10227**

## Electrical Specifications

**Center Frequency:** 2579.5 MHz  
**Bandwidth:** 162 MHz  
**Passband :** 2498.5 MHz to 2660.5 MHz  
**Insertion Loss:** < 1.5dB @ 2579.5 MHz  
**Return Loss:** >15dB @ 2498.5 MHz to 2660.5 MHz  
**Rejection:** >60dB @ 0-2400 MHz  
**Rejection2:** >14dB @ 2480 MHz  
**Rejection3:** >14dB @ 2680.5 MHz  
**Rejection4:** >70dB @ 2760 MHz to 4000 MHz  
**Group Delay:** <11ns @ 2498.5 MHz to 2660.5 MHz  
**Impedance:** 50 Ohms

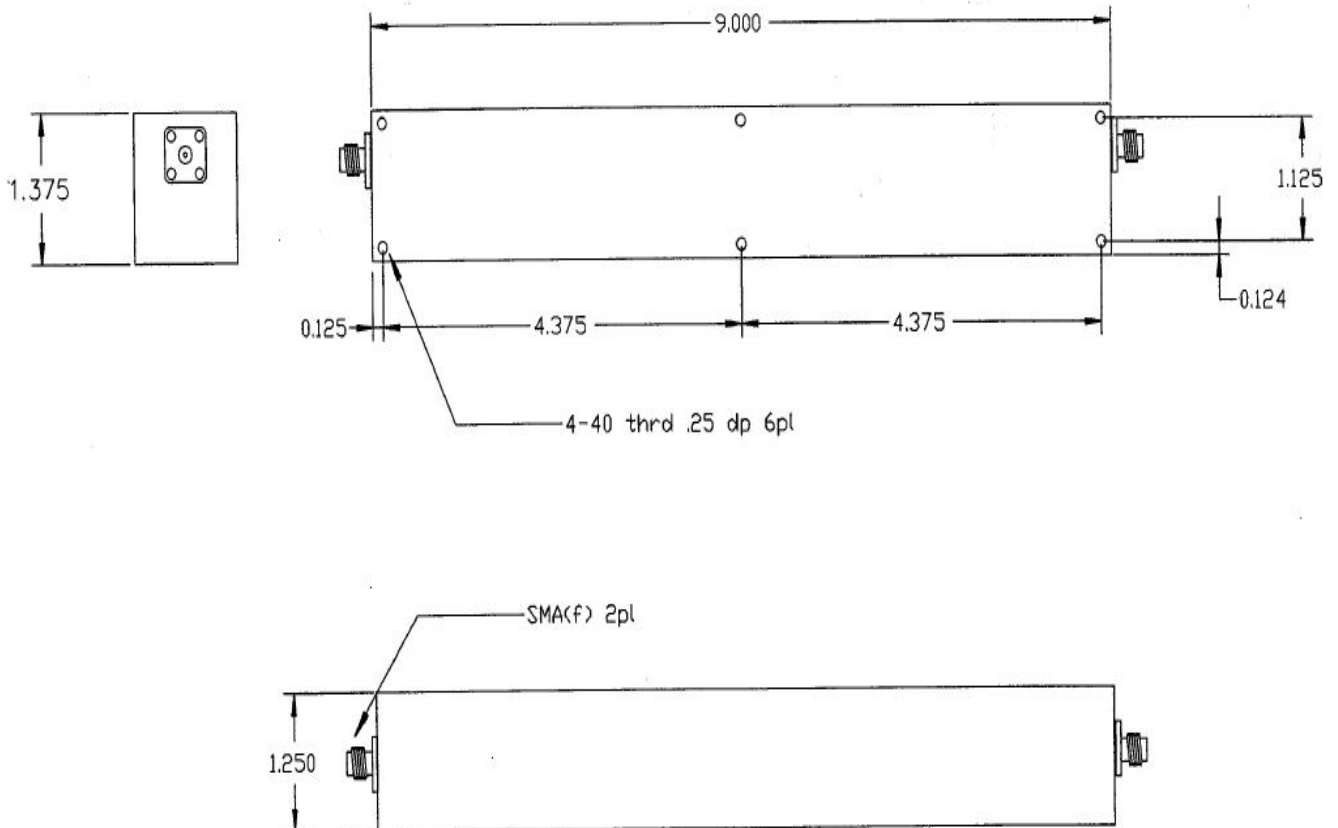
## Mechanical

**Mounting Method:** Threaded Mounting Holes  
**Connector Type:** SMA(Female)  
**Dimensions:** 9.0" X 1.375" x 1.250" in.

## Environmental

**Operating Temperature:** -25°C to +70°C  
**Storage Temperature:** -40°C to +90°C  
**Shock:** 20 G. 11ms  
**Vibration:** 20 G. 5 to 200Hz

## Outline Drawing:





**ANATECH ELECTRONICS INC**  
RF & Microwave Filters & Products

# 2579.5 MHz Cavity Bandpass Filter

Part Number: AE2579.5B10227



## Response Plot:

8 Apr 2009 14:31:14

