

"High Frequency Ceramic Solutions"

6.5GHz High Rejection Ceramic Band Pass Filter.

P/N 6530BP44A1190

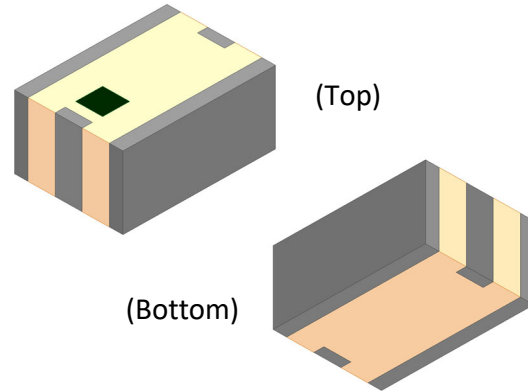
Application: WiFi6

Detail Specification: 6/29/2020

Page 1 of 5

General Specifications

Part Number	6530BP44A1190
Operating Frequency	5925 - 7125 MHz
Insertion loss (dB)	2.3 typ. (3.0 max.)
Return Loss (dB)	11.5 typ. (9.5 min.)
Power Capacity (W)	3 max. (CW)
Ripple @ BW (dB)	1.9 typ. (2.5 max.)
Operating Temperature	-40°C to +85°C
Recommended Storage Conditions for unused T&R product	+5 to +35°C Humidity 45~75%RH 18 months max.



Attenuation (dB)			
30 - 1700 MHz	41 typ. (35 min.)	4500 - 5150 MHz	41 typ. (35 min.)
1982 - 2370 MHz	39 typ. (35 min.)	5170 - 5650 MHz	52 typ. (50 min.)
2400 - 2500 MHz	39 typ. (35 min.)	8250 - 9440 MHz	9 typ. (6 min.)
3960 - 4740 MHz	38 typ. (33 min.)	11850 - 14210 MHz	34 typ. (20 min.)

You can download measured s-parameters of this component at: <https://www.johansontechnology.com/band-pass-filters>

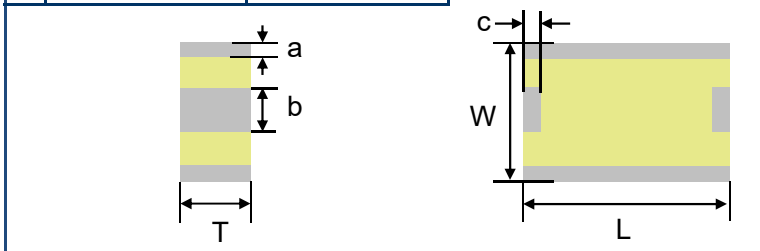
Part Number Explanation

Orderable p/n

P/N	Packaging Style	Bulk	Suffix = S	E.g. 6530BP44A1190S
		T & R	Suffix = E	E.g. 6530BP44A1190E
Suffix	Reel Quantity (pcs/reel)	1,000		E.g. 6530BP44A1190E
	Evaluation Board	50Ω SMA	Suffix = EB1SMA	E.g. 6530BP44A1190-EB1SMA

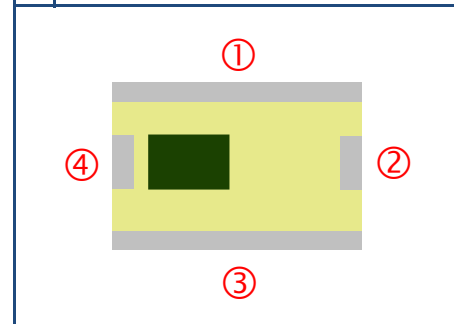
Mechanical Dimensions

	In	mm
L	0.177 ± 0.008	4.50 ± 0.20
W	0.126 ± 0.008	3.20 ± 0.20
T	0.087 max.	2.20 max.
a	0.016 ± 0.008	0.40 ± 0.20
b	0.031 ± 0.008	0.80 ± 0.20
c	0.012 ± 0.006	0.30 ± 0.15



Terminal Configuration

No.	Function
1	GND
2	INPUT / OUTPUT
3	GND
4	INPUT / OUTPUT



Johanson Technology, Inc. reserves the right to make design changes without notice.

All sales are subject to Johanson Technology, Inc. terms and conditions.



<https://www.johansontechnology.com>

4001 Calle Tecate • Camarillo, CA 93012, USA • TEL +1.805.389.1166

Ver. 1.1

2020 Johanson Technology, Inc. All Rights Reserved

"High Frequency Ceramic Solutions"

6.5GHz High Rejection Ceramic Band Pass Filter.

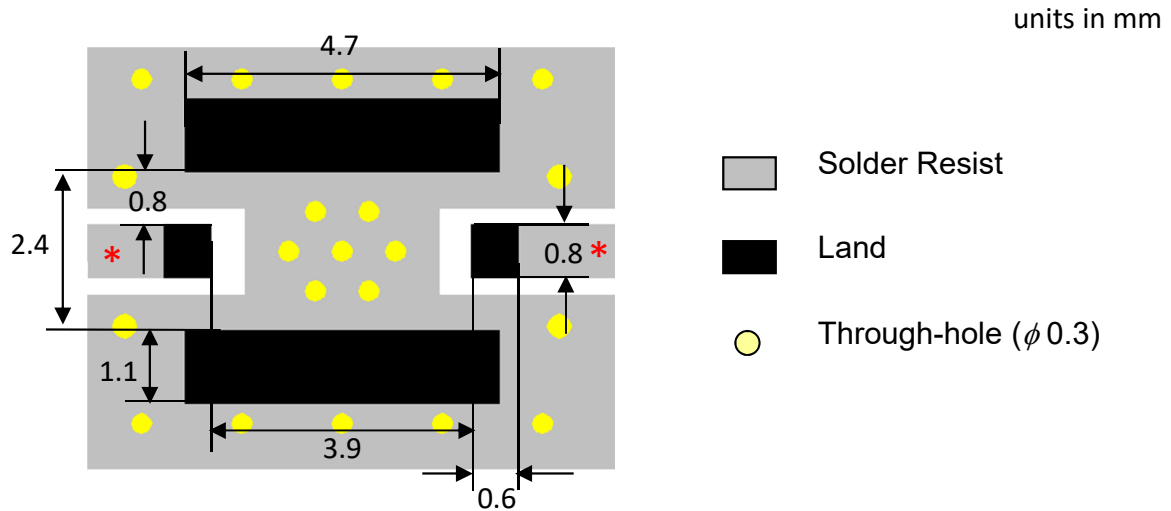
P/N 6530BP44A1190

Application: WiFi6

Detail Specification: 6/29/2020

Page 2 of 5

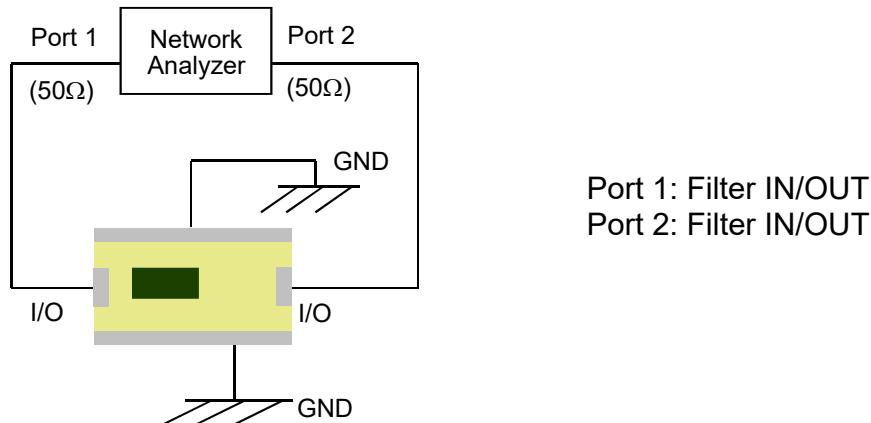
Mounting Pad Dimensions



* Transmission line width should be designed to match 50 Ω characteristic impedance, depending on PCB material and thickness.

Would you like the layout file? Send us a message at: <https://www.johansontechnology.com/ask-a-question>

Measurement Schematic



Johanson Technology, Inc. reserves the right to make design changes without notice.

All sales are subject to Johanson Technology, Inc. terms and conditions.



Ver. 1.1

<https://www.johansontechnology.com>

4001 Calle Tecate • Camarillo, CA 93012, USA • TEL +1.805.389.1166

2020 Johanson Technology, Inc. All Rights Reserved

"High Frequency Ceramic Solutions"

6.5GHz High Rejection Ceramic Band Pass Filter.

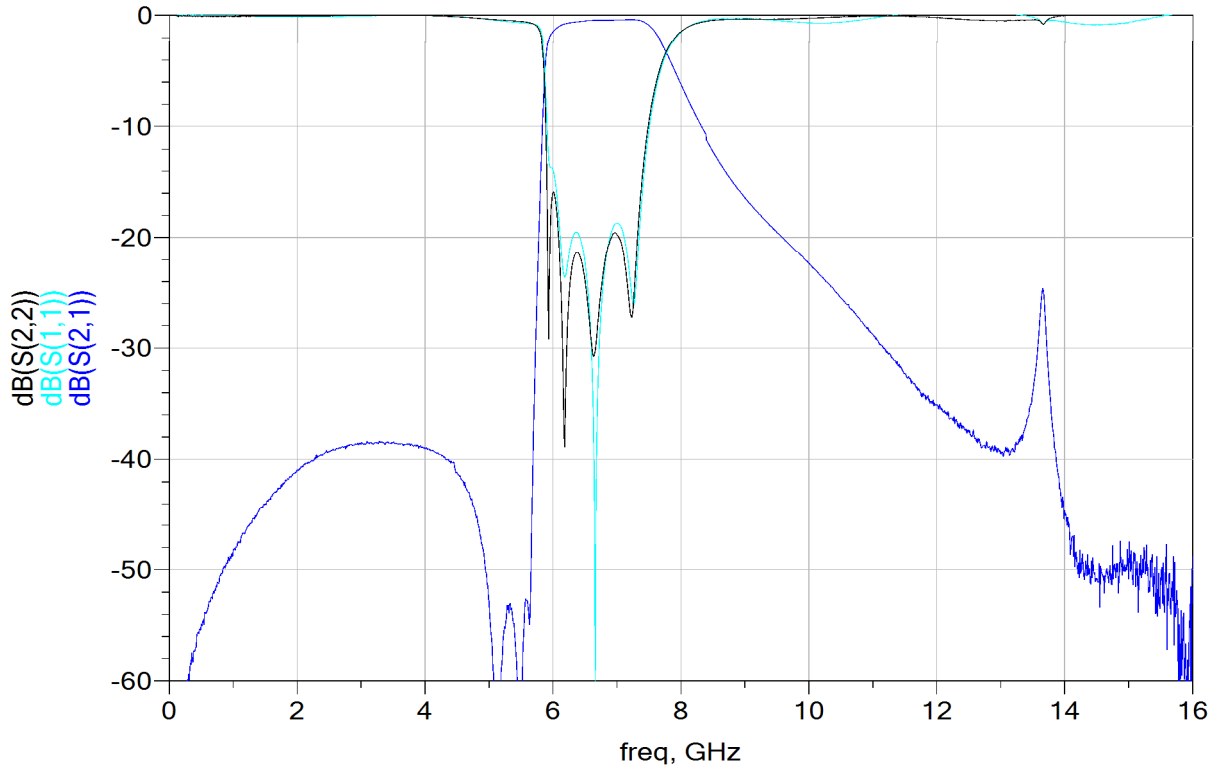
P/N 6530BP44A1190

Application: WiFi6

Detail Specification: 6/29/2020

Page 3 of 5

Typical Electrical Characteristics (T=25°C)



Do you need the S-parameter file of the above? Send us a message at:
<https://www.johansontechnology.com/ask-a-question>

Johanson Technology, Inc. reserves the right to make design changes without notice.

All sales are subject to Johanson Technology, Inc. terms and conditions.



Ver. 1.1

<https://www.johansontechnology.com>

4001 Calle Tecate • Camarillo, CA 93012, USA • TEL +1.805.389.1166

2020 Johanson Technology, Inc. All Rights Reserved

"High Frequency Ceramic Solutions"

6.5GHz High Rejection Ceramic Band Pass Filter.

P/N 6530BP44A1190

Application: WiFi6

Detail Specification: 6/29/2020

Page 4 of 4

Application Notes, Layout Files, and more

<https://www.johansontechnology.com/band-pass-filters>

Packaging information

<https://www.johansontechnology.com/tape-reel-packaging>

Soldering Information

<https://www.johansontechnology.com/ipcsoldering-profile>

MSL Info

<https://www.johansontechnology.com/msl-rating>

Recommended Storage Condition and Max Shelf Life

<https://www.johansontechnology.com/recommended-storage-conditions>

RoHS Compliance

<https://www.johansontechnology.com/technical-notes/rohs-compliance>

Antenna layout and tuning techniques

<https://www.johansontechnology.com/tuning.html>

Antenna layout review, tuning, and characterization services

<https://www.johansontechnology.com/ipc-antenna-services>

Johanson Technology, Inc. reserves the right to make design changes without notice.

All sales are subject to Johanson Technology, Inc. terms and conditions.



Ver. 1.1

<https://www.johansontechnology.com>

4001 Calle Tecate • Camarillo, CA 93012, USA • TEL +1.805.389.1166

2020 Johanson Technology, Inc. All Rights Reserved