



104.2MHz LC Band Stop notch Filters

Part Number: AE104N2239



ANATECH ELECTRONICS INC
RF & Microwave Filters & Products

Electrical specifications

Notch Center Frequency : 104.2MHz
Notch Bandwidth Frequency : 102 MHz to 106 MHz
Attenuation at Notch Bandwidth : 70dB Min.
Lower-side Passband : 47 MHz to 93 MHz
Higher-side passband: 117 MHz to 1000 MHz
Passband Insertion Loss: 3-6 dB Max.
Passband Return Loss: 14dB Min.
Impedance:75 Ohm
Power Handling:1 Watt max

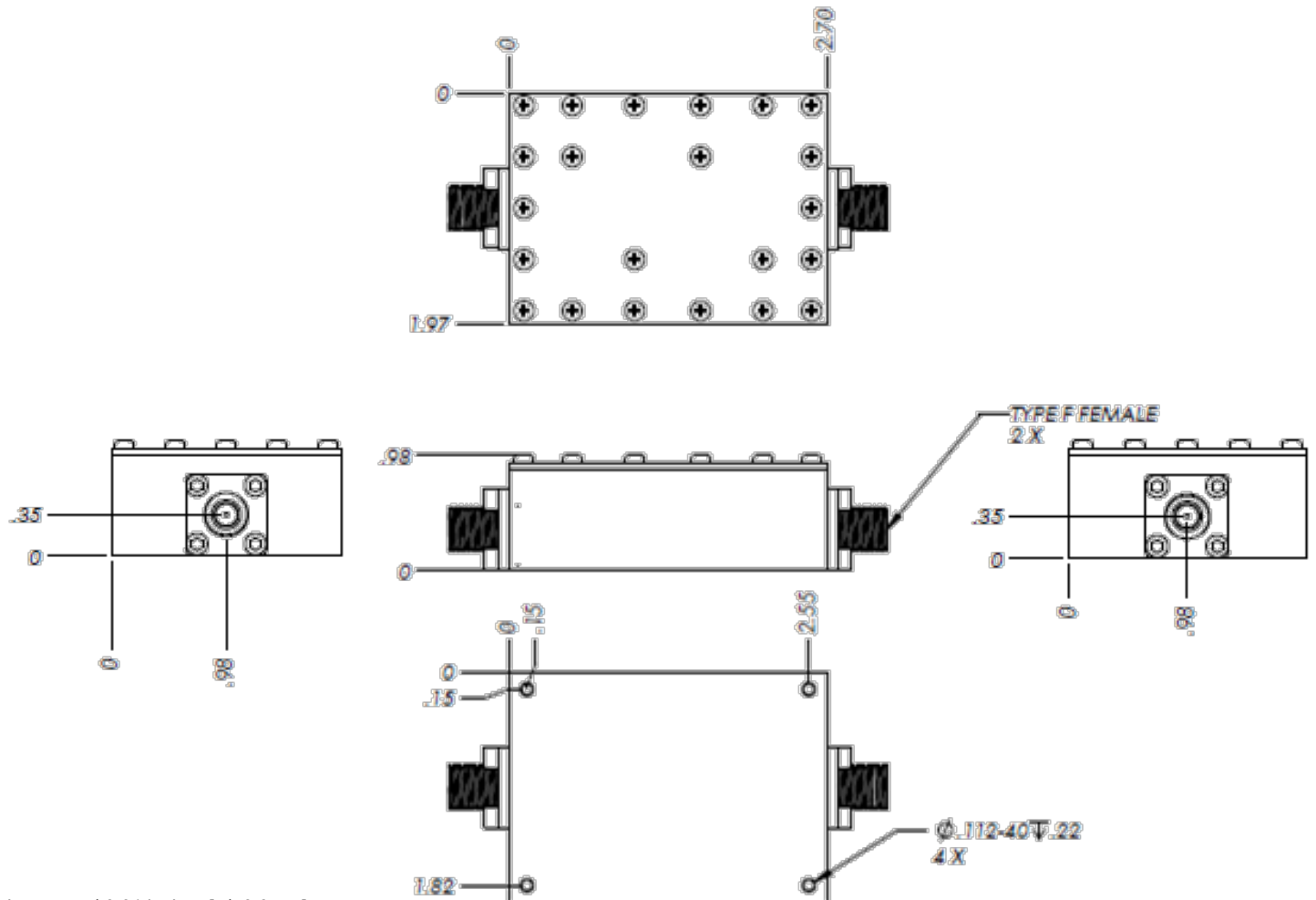
Mechanical

Mounting Method: Thru-Hole
Connector Type: F-type(F)
Dimensions: 2.7 x 1.97 x 0.98 in.

Environmental

Operating Temperature: -15°C to +30°C
Storage Temperature: -30°C to +45°C
Shock: 10 G. 11ms
Vibration: 10 G. 5 to 200Hz

Outline Drawing:



Tolerance: +/-0.01 inches [+/- 0.3mm]

Angles: +/- 1 Deg.

*Tolerance as shown unless otherwise specified in the datasheet electrical specification tables above.

*When max dimensions are called out the above tolerances do not apply as long as it is under the max call out.