



ANATECH ELECTRONICS INC
RF & Microwave Filters & Products

2.83 MHz LC Band Pass Filter

Part Number: AE2.83B5443



Electrical Specifications

Center Frequency: 2.83 MHz

3dB Passband: 2.38-3.37 MHz

Insertion Loss: 4.0dB Max.

Return Loss: 14dB Min.

Rejection1: $\geq 40\text{dB}$ @ 2 MHz

Rejection2: $\geq 40\text{dB}$ @ 3.89 MHz

Impedance: 50 Ohms

Mechanical

Mounting Method: Threaded Holes

Connector Type: SMA(F)

Dimensions: 2.38" X 1.0" x 1.0".

Environmental

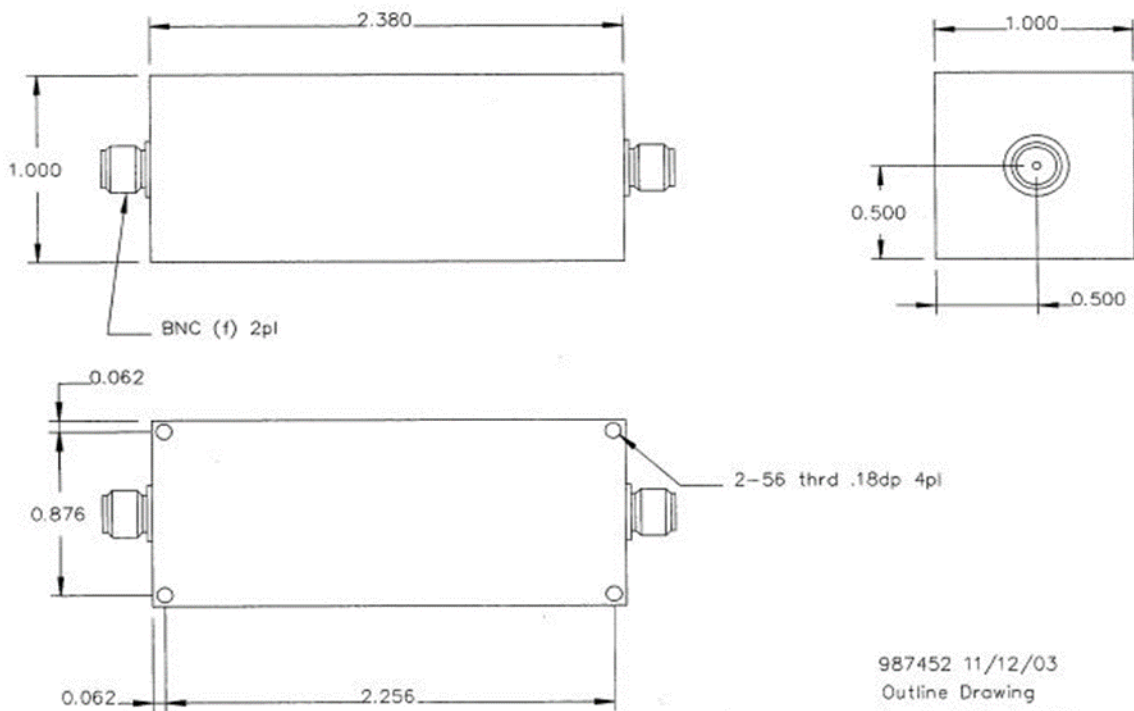
Operating Temperature: -25°C to +70°C

Storage Temperature: -40°C to +90°C

Shock: 10 G. 11ms

Vibration: 10 G. 5 to 200Hz

Outline Drawing:



987452 11/12/03
Outline Drawing
Anatech Electronics
(987007)

Tolerance: +/-0.01 inches [+/- 0.3mm]

Angles: +/- 1 Deg.

*Tolerance as shown unless otherwise specified in the datasheet electrical specification tables above.

*When max dimensions are called out the above tolerances do not apply as long as it is under the max call out.

70 Outwater Lane Phone: (973) 772-4242
Garfield, NJ 07026 Fax : (973) 321-3941

Email: sales@anatechelectronics.com
Web: www.anatechelectronics.com



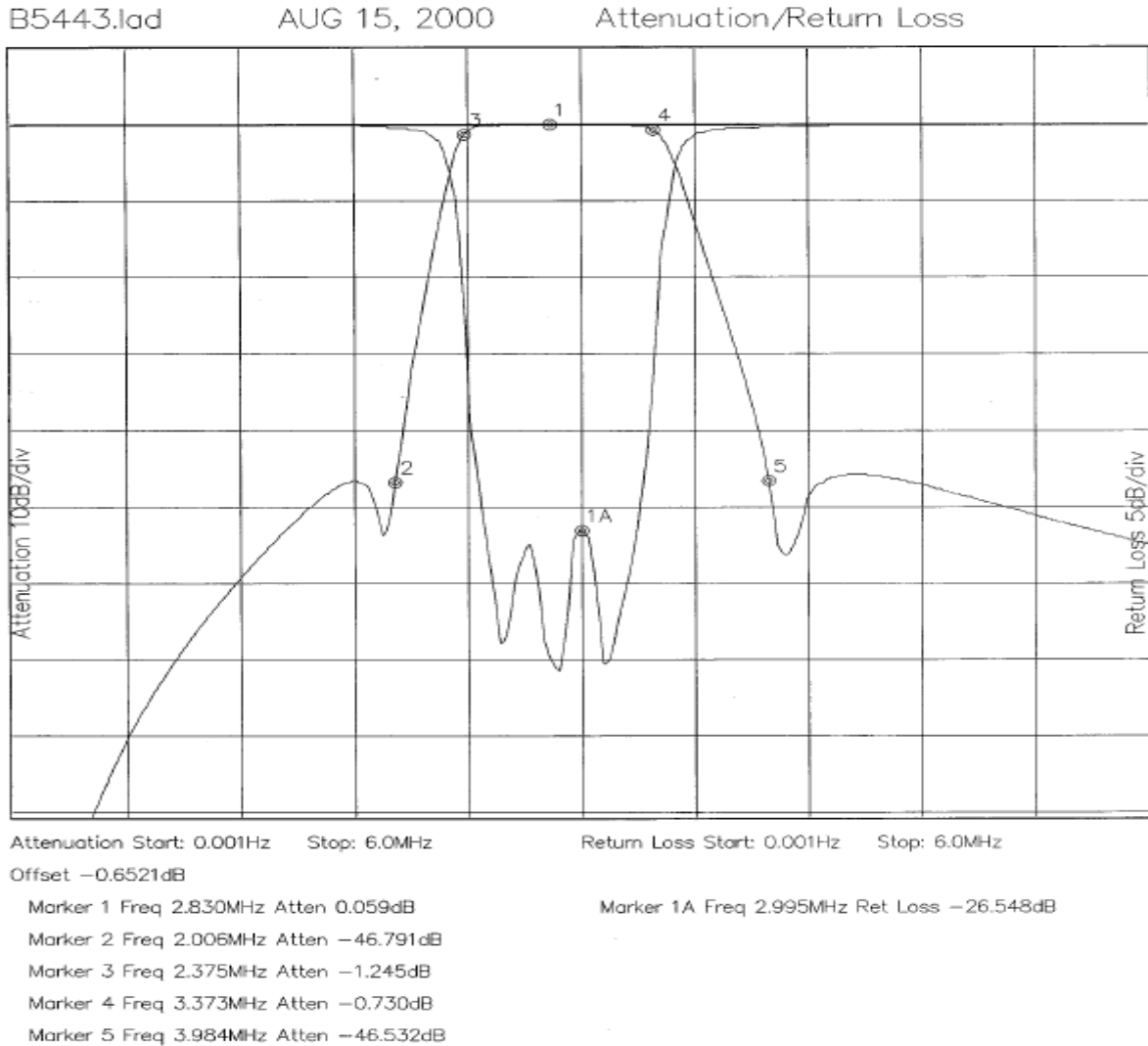
ANATECH ELECTRONICS INC
RF & Microwave Filters & Products

2.83 MHz LC Band Pass Filter

Part Number: AE2.83B5443



Simulation Plot:



Note: This is a simulation Plot. Actual response plot might differ once product is manufactured.

70 Outwater Lane Phone: (973) 772-4242
Garfield, NJ 07026 Fax : (973) 321-3941

Email: sales@anatechelectronics.com
Web: www.anatechelectronics.com