



Electrical Specifications

Cutoff Frequency (Fc): 0.8 MHz
Passband: 0.8-3 MHz
Insertion Loss: 0.5dB Max.
Passband Return Loss: 15dB Min.
Rejection: 49 dB Min. @ 0-310 KHz

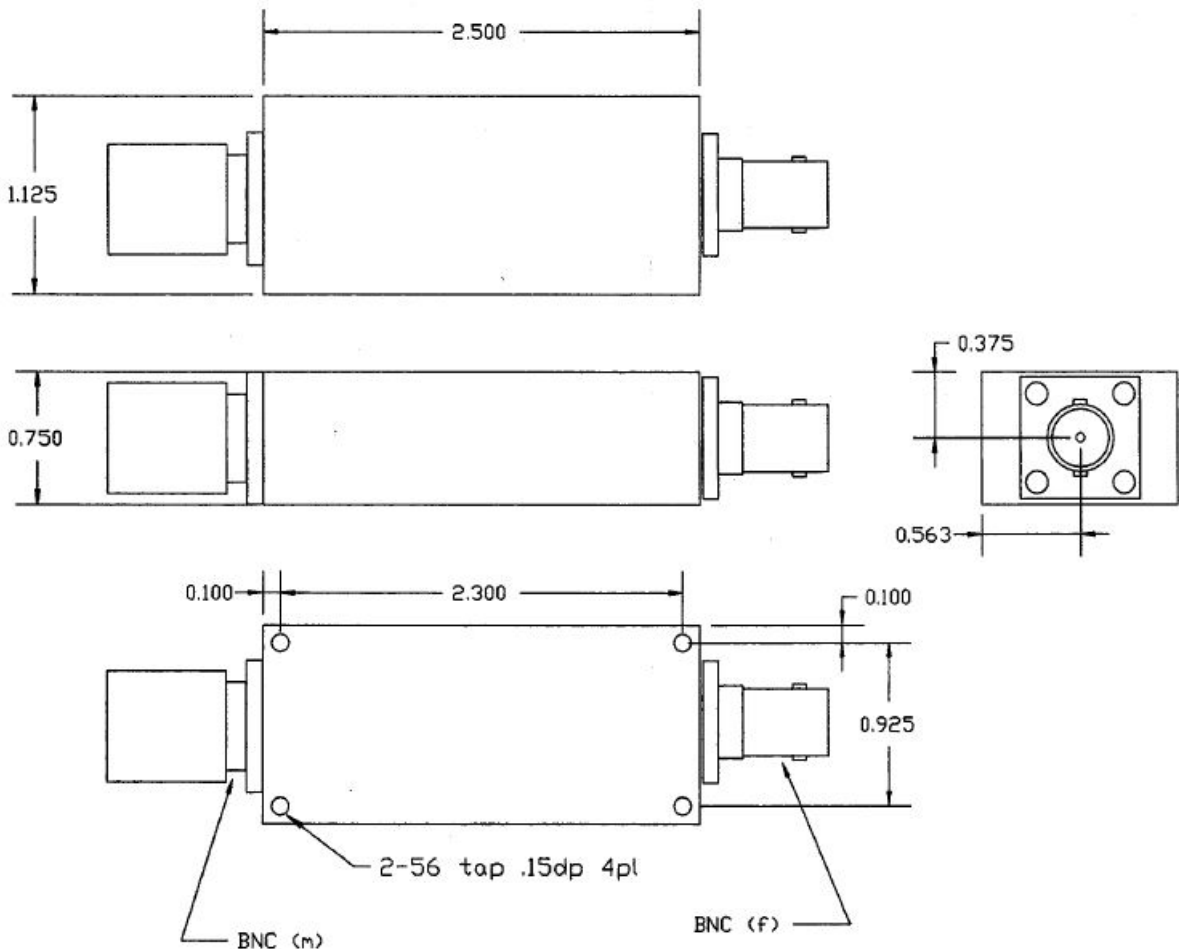
Mechanical

Connector Type: BNC(M) & BNC(F)
Dimensions: 2.5" x 1.125" x 0.75"

Environmental

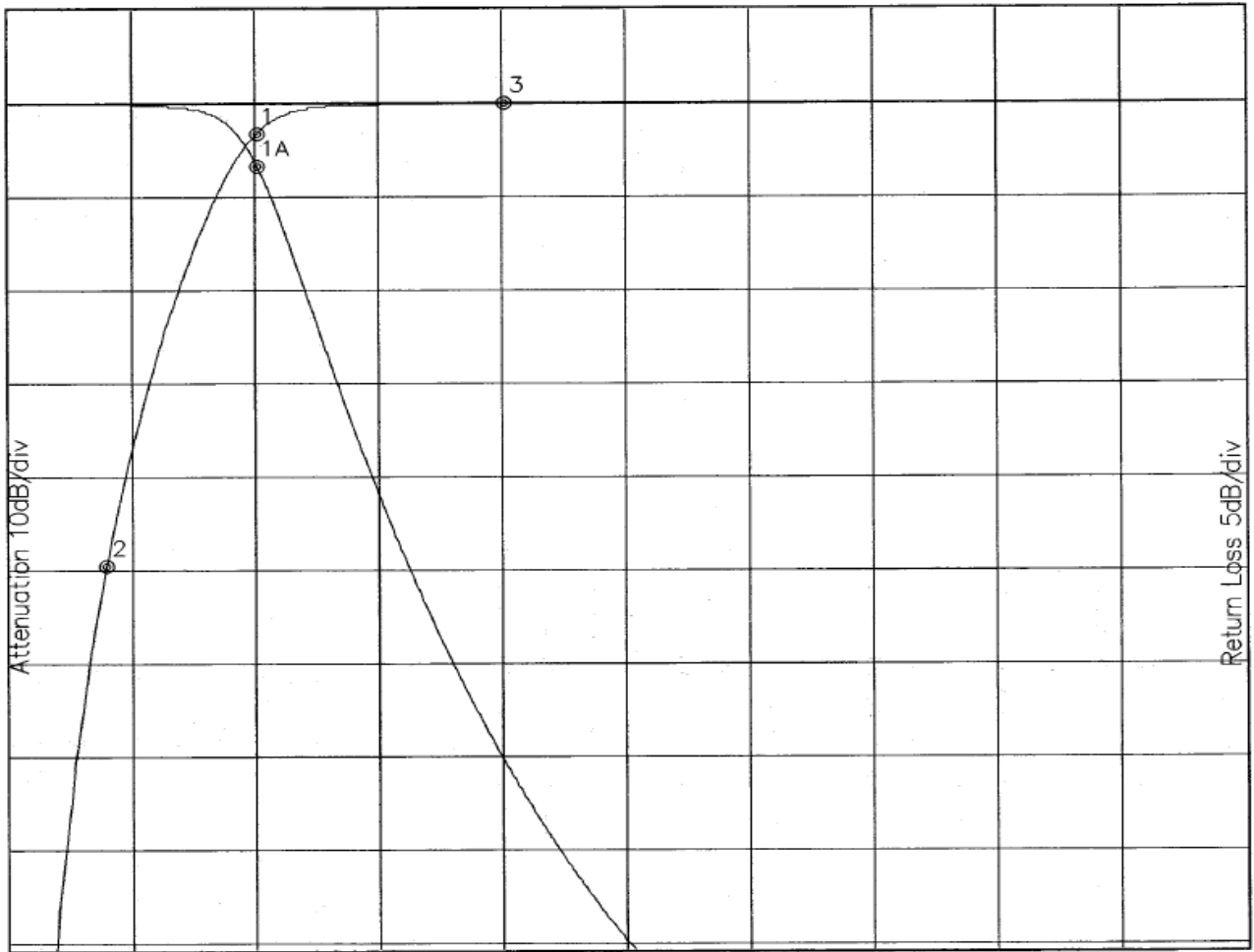
Operating Temperature: -25°C to +70°C
Storage Temperature: -40°C to +90°C
Shock: 10 G. 11ms
Vibration: 10 G. 5 to 200Hz

Outline Drawing:





Simulation Plot :



Attenuation Start: 0.0Hz Stop: 4.0MHz

Return Loss Start: 0.0Hz Stop: 4.0MHz

Marker 1 Freq 801.29kHz Atten -3.167dB
Marker 2 Freq 310.17kHz Atten -49.487dB
Marker 3 Freq 1.603MHz Atten -0.038dB

Marker 1A Freq 801.29kHz Ret Loss -3.331dB