



Electrical Specifications

Cutoff Frequency (Fc): 6 MHz
Passband: 6-20 MHz
Insertion Loss @ 12MHz: 0.5dB Max.
Passband Return Loss: 15dB Min.
Rejection: 51 dB Min. @ 2.33 MHz

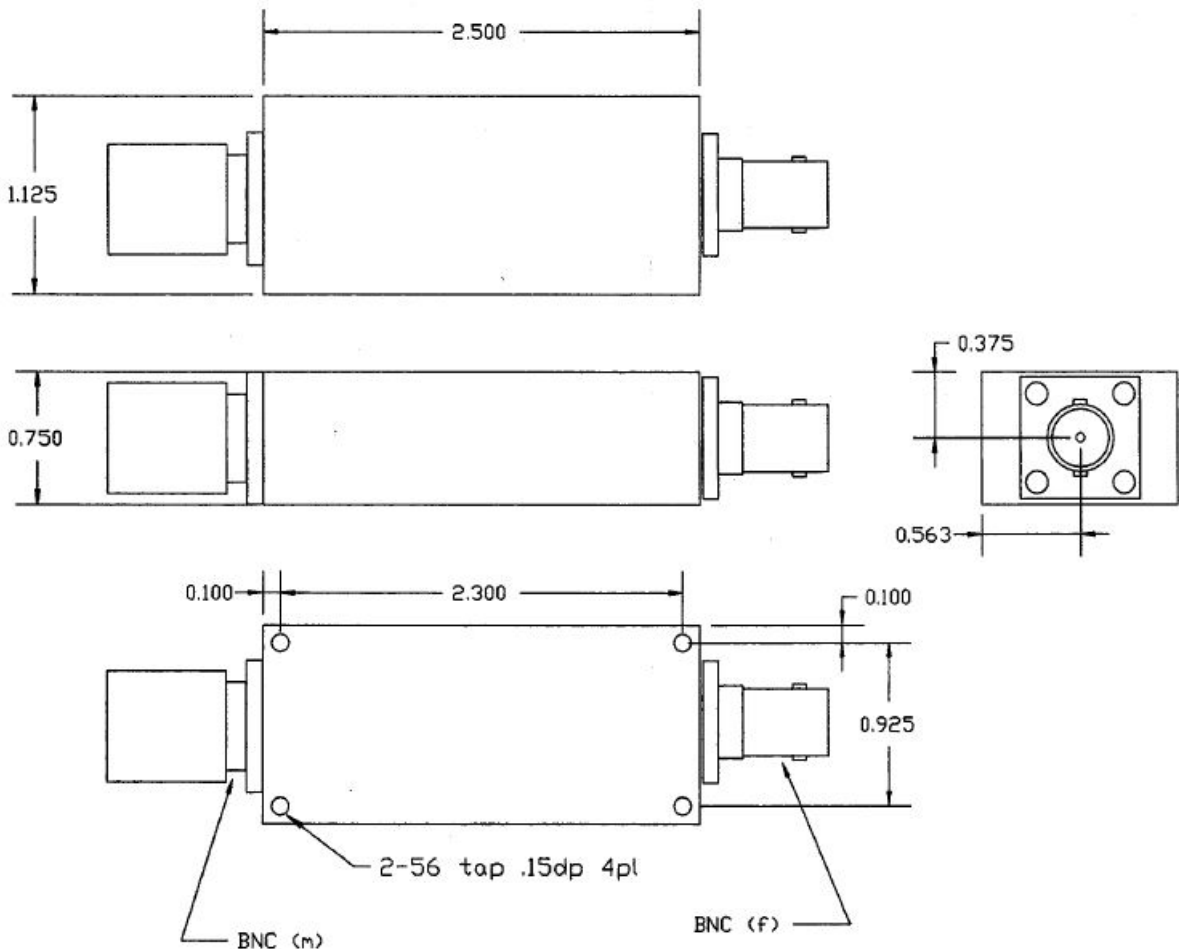
Mechanical

Connector Type: BNC(M) & BNC(F)
Dimensions: 2.5" x 1.125" x 0.75"

Environmental

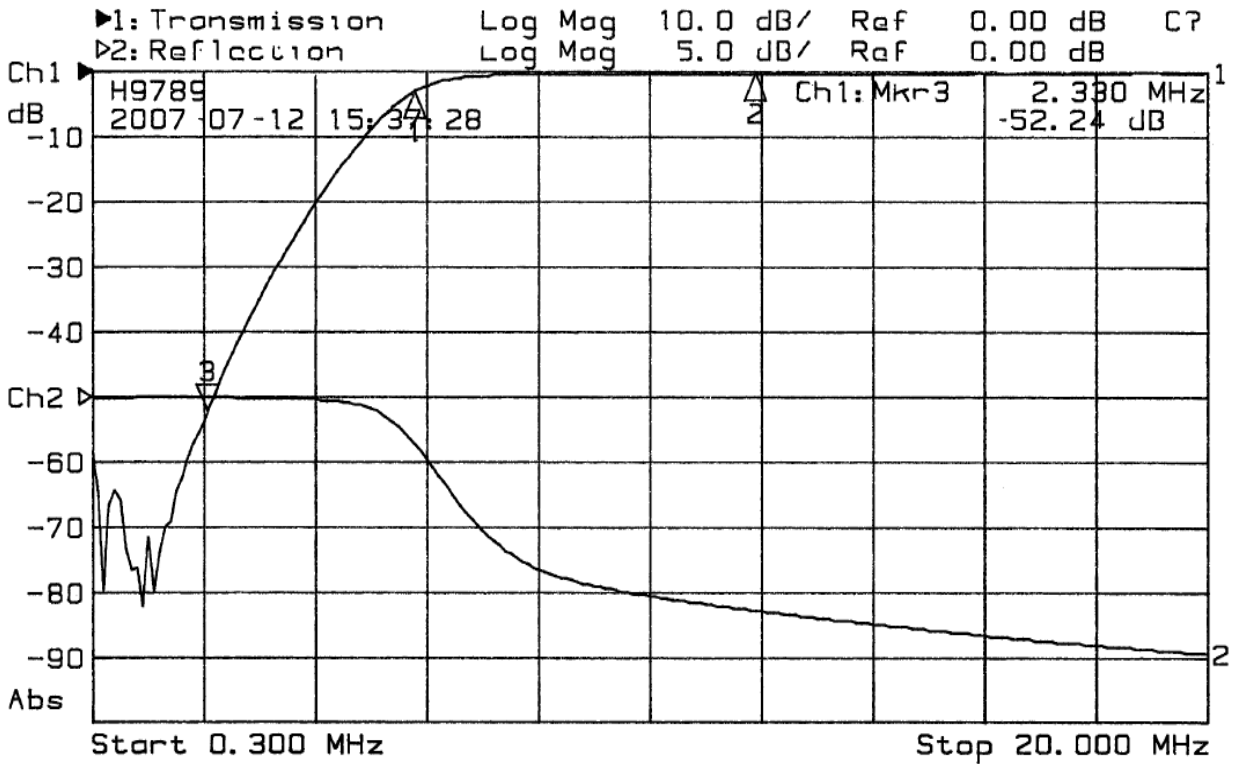
Operating Temperature: -25°C to +70°C
Storage Temperature: -60°C to +90°C
Shock: 10 G. 11ms
Vibration: 10 G. 5 to 200Hz

Outline Drawing:





Response Plot :



1: Mkr (MHz)	dB	2: Mkr (MHz)	dB
1:	6.00	-2.97	
2:	12.00	-0.21	
3>	2.33	-52.24	

Kenneth A. Jansen (AE E2)