

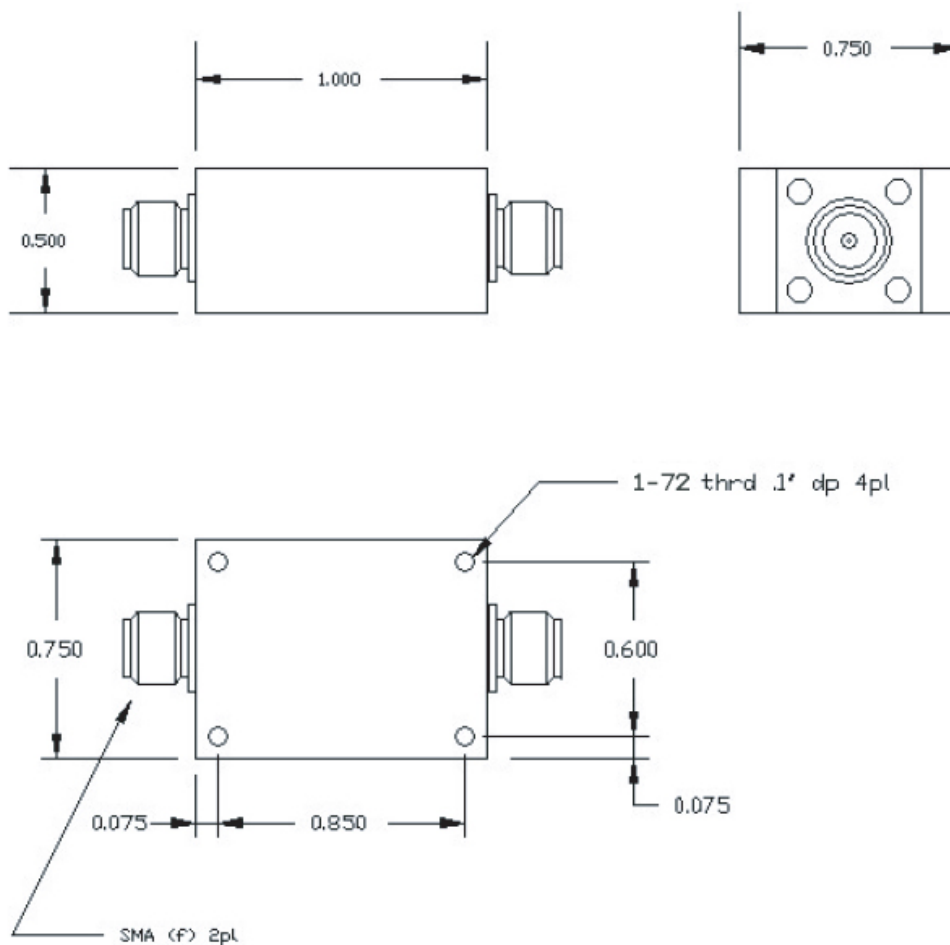


## 8.5-18 GHz Highpass Filter

Part Number: AE8500H9820

Passband: 8.5-18 GHz  
Insertion Loss: <1dB  
Return Loss: >10dB over Passband  
Rejection: >35dB @ 0-2800MHz  
Connectors: SMA (F)

### Outline Drawing:





**ANATECH ELECTRONICS, INC.**

Manufacturer of RF & Microwave Filters and Products



## 8.5-18 GHz Highpass Filter

Part Number: AE8500H9820

### Response Plot:

