



420 MHz Lowpass Filter

Part Number: AE420L8961



Electrical specifications

Cutoff Frequency (FC): 420 MHz
Passband: 100-420 MHz
Insertion loss @Passband: 0.6 dB Max.
Return loss @Passband: 14 dB Min.
Rejection @ 460 MHz: 25 dB Min.
Rejection @ 465-700 MHz: 30 dB Min.

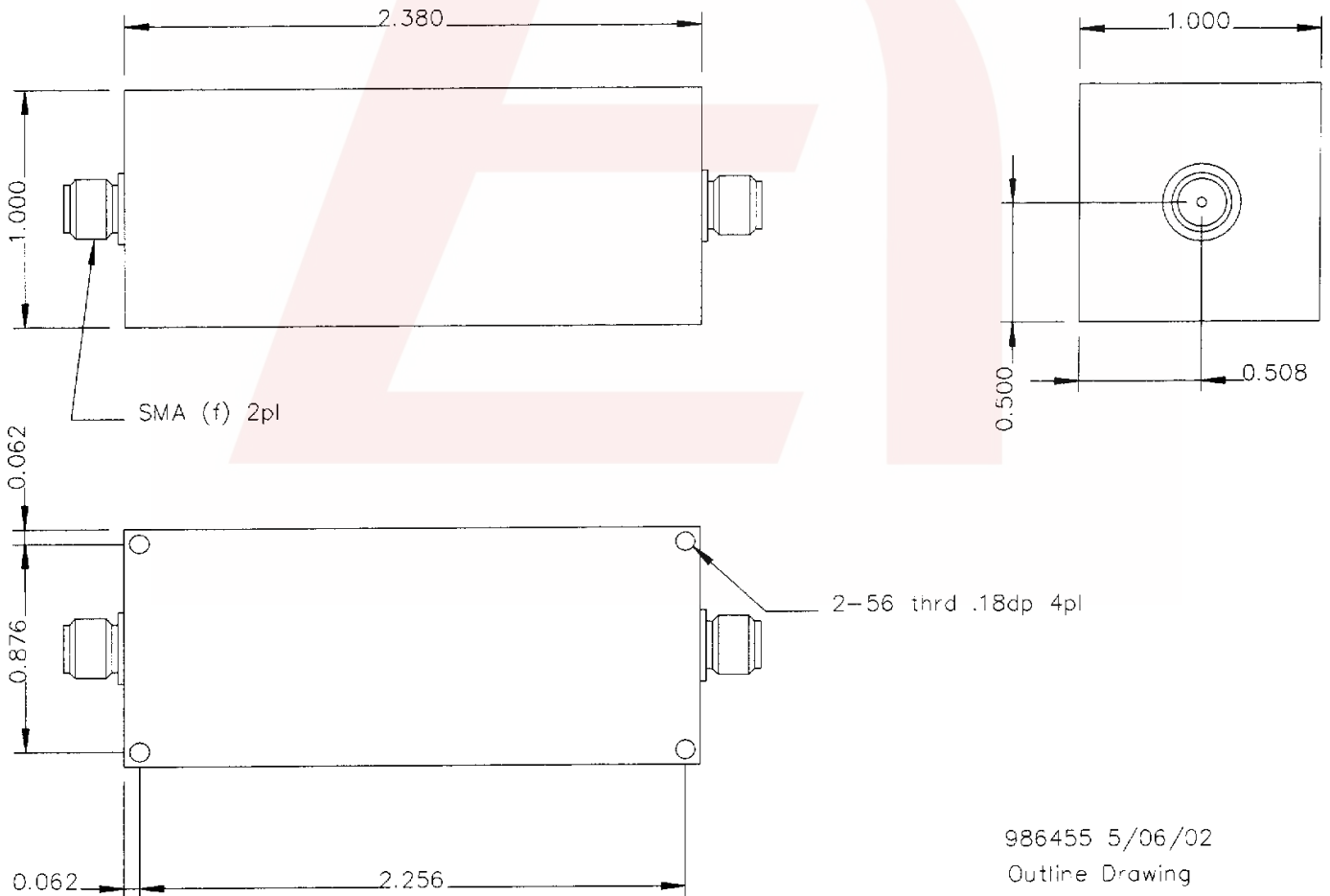
Mechanical

Mounting Method: Threaded Holes
Connector Type: SMA(F)
Dimensions: 2.38 x 1.0 x 1.0 Inches

Environmental

Operating Temperature: -40 to +70° C
Storage Temperature: -40 to +85° C

Outline Drawing:



986455 5/06/02
Outline Drawing
Anatech Electronics

DS-L8961-11072019-Rev1



420 MHz Lowpass Filter

Part Number: AE420L8961



Response Plot:

