



ANATECH ELECTRONICS INC
RF & Microwave Filters & Products

320 MHz LC Band Pass Filter

Part Number: AE320B11270



Electrical Specifications

Center Frequency: 320 MHz
-3dB Pass Band: 308-332 MHz Min
-50dB Bandwidth: 85 MHz Max
Insertion Loss: 3.0 dB Max at 320 MHz
In/Out VSWR: 1.25:1 Max at 320 MHz
Stopbands: >45 dB @ 280 MHz
 >45 dB @ 360 MHz

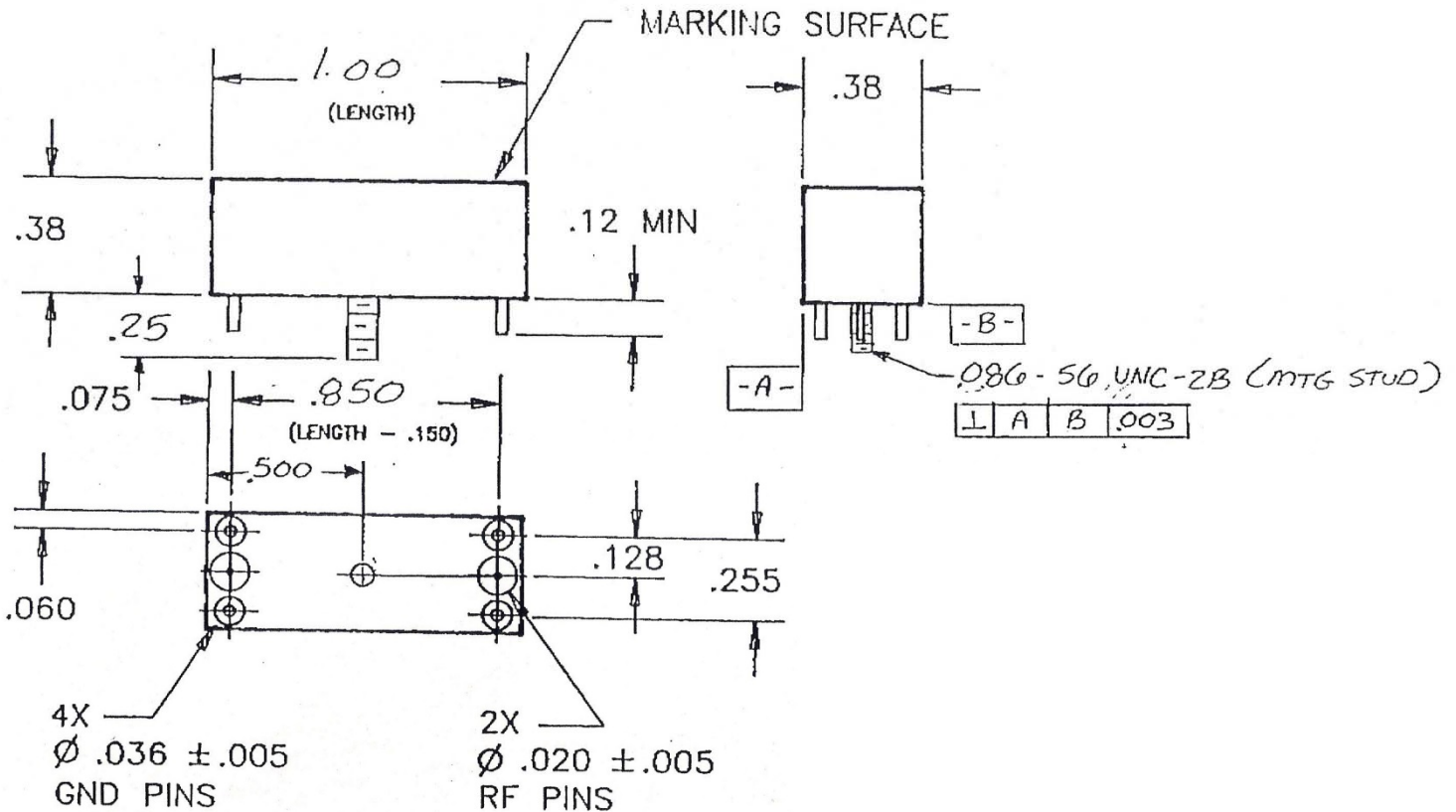
Mechanical

Connector Type: RF Pins
Dimensions: 1.00 x 0.38 x 0.38 Inches

Environmental

Operating Temperature: -30 to +85° C
Storage Temperature: -40 to +95° C
Shock: 20 G. 11 ms
Vibration: 20 G. 5 to 200 MHz

Outline Drawing:



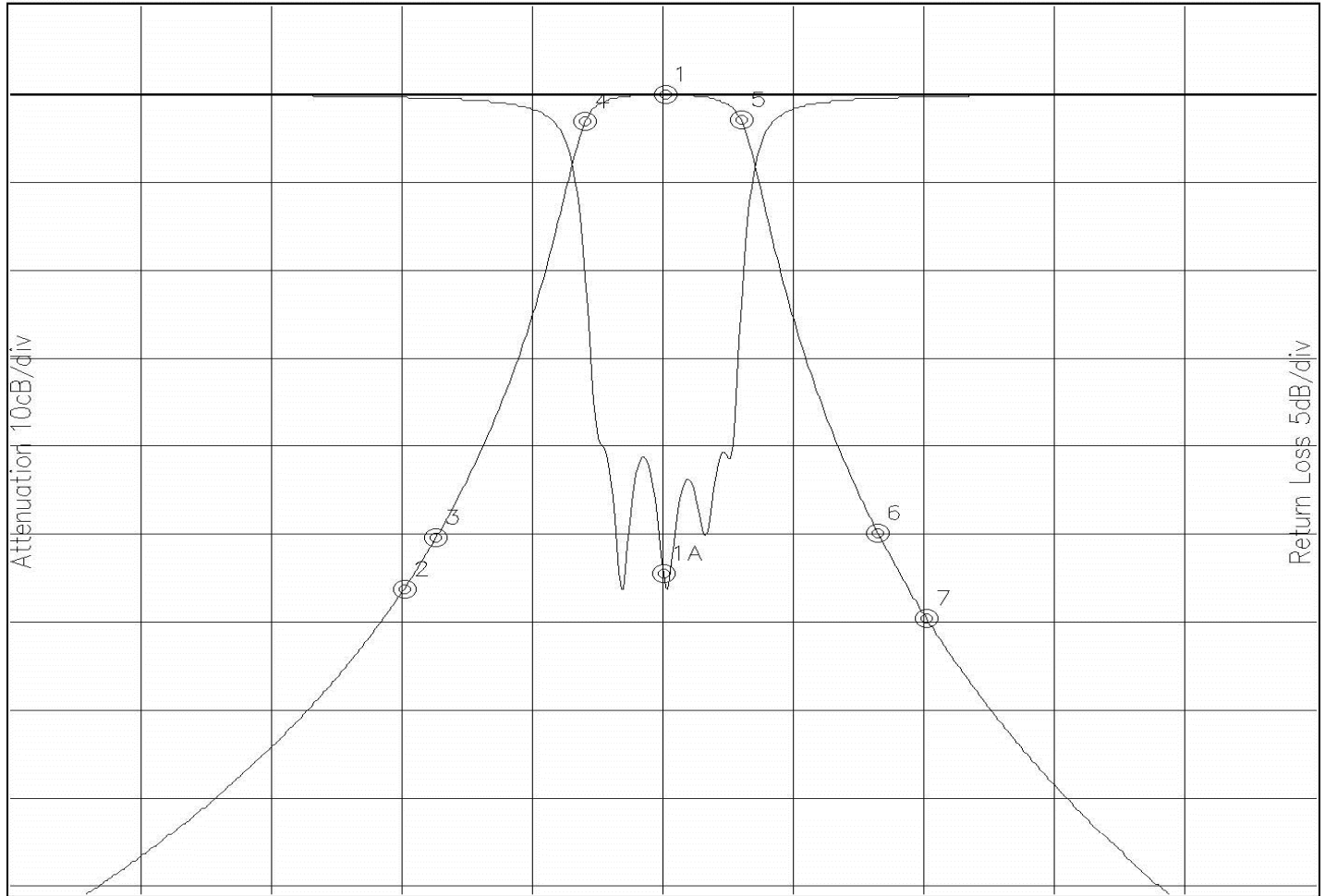


Response Plot:

A510.lad

DEC 11, 2015

Attenuation/Return Loss



Attenuation Start: 220.0MHz Stop: 420.0MHz

Return Loss Start: 220.0MHz Stop: 420.0MHz

Offset -2.826dB

- Marker 1 Freq 320.16MHz Atten 0.068dB
- Marker 2 Freq 280.09MHz Atten -56.000dB
- Marker 3 Freq 284.94MHz Atten -50.284dB
- Marker 4 Freq 307.88MHz Atten -3.023dB
- Marker 5 Freq 331.79MHz Atten -2.905dB
- Marker 6 Freq 352.79MHz Atten -49.763dB
- Marker 7 Freq 360.22MHz Atten -59.391dB

Marker 1A Freq 319.83MHz Ret Loss -27.221dB