



ANATECH ELECTRONICS INC
RF & Microwave Filters & Products

12.5 MHz LC Band Pass Filter

Part Number: AE12.5B6111



Electrical Specifications

Center Frequency: 12.5 MHz

Bandwidth: 4 MHz Min.

Insertion Loss: 3.0dB Max.

Return Loss: 14dB Min.

Rejection: $\geq 70\text{dB}$ @ 1 MHz

Rejection2: $\geq 70\text{dB}$ @ 27.5 MHz

Mechanical

Connector Type: SMA(F)

Dimensions: 3.75" X 1.0" x 0.5" .

Environmental

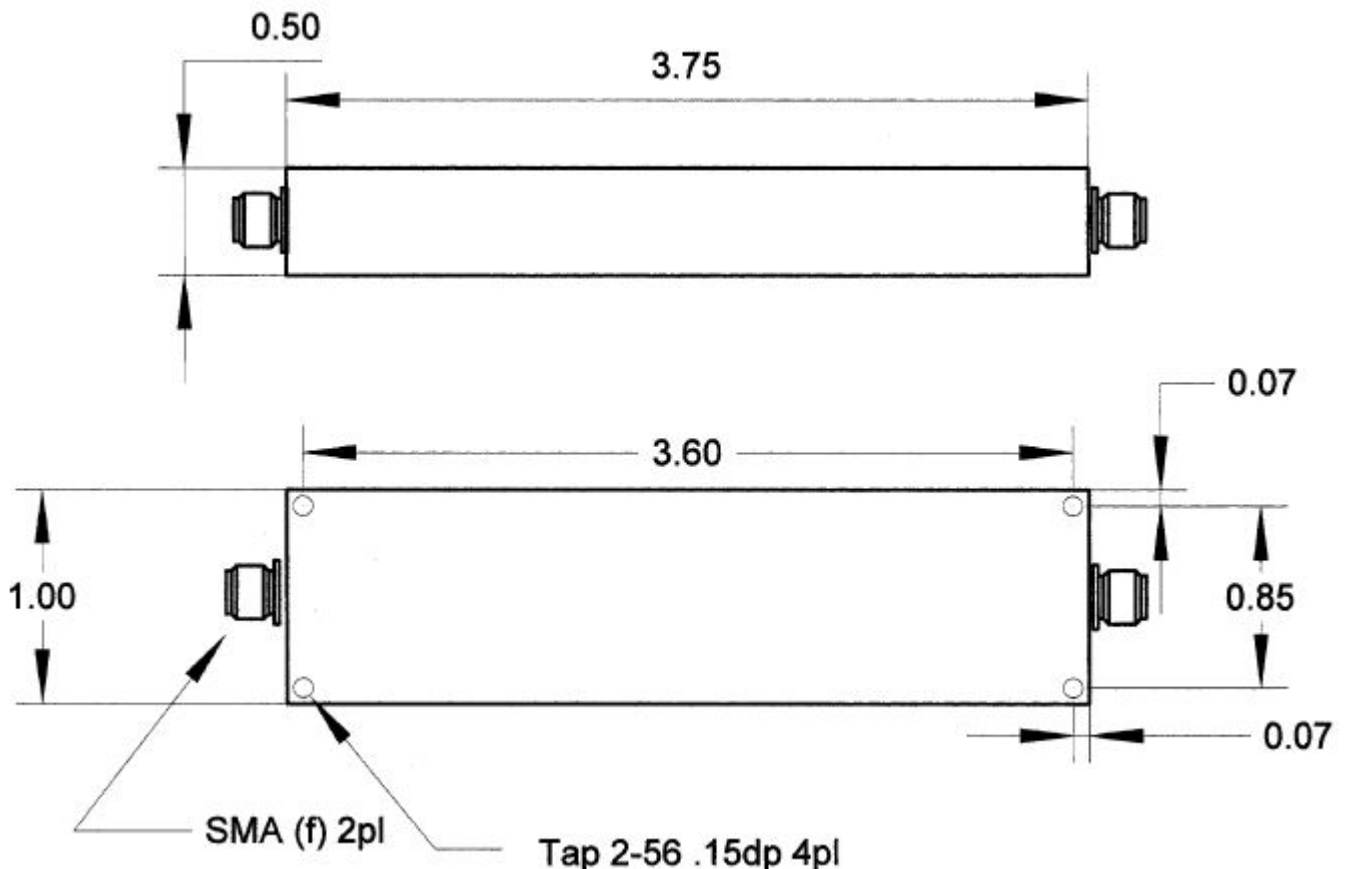
Operating Temperature: -25°C to +70°C

Storage Temperature: -40°C to +90°C

Shock: 10 G. 11ms

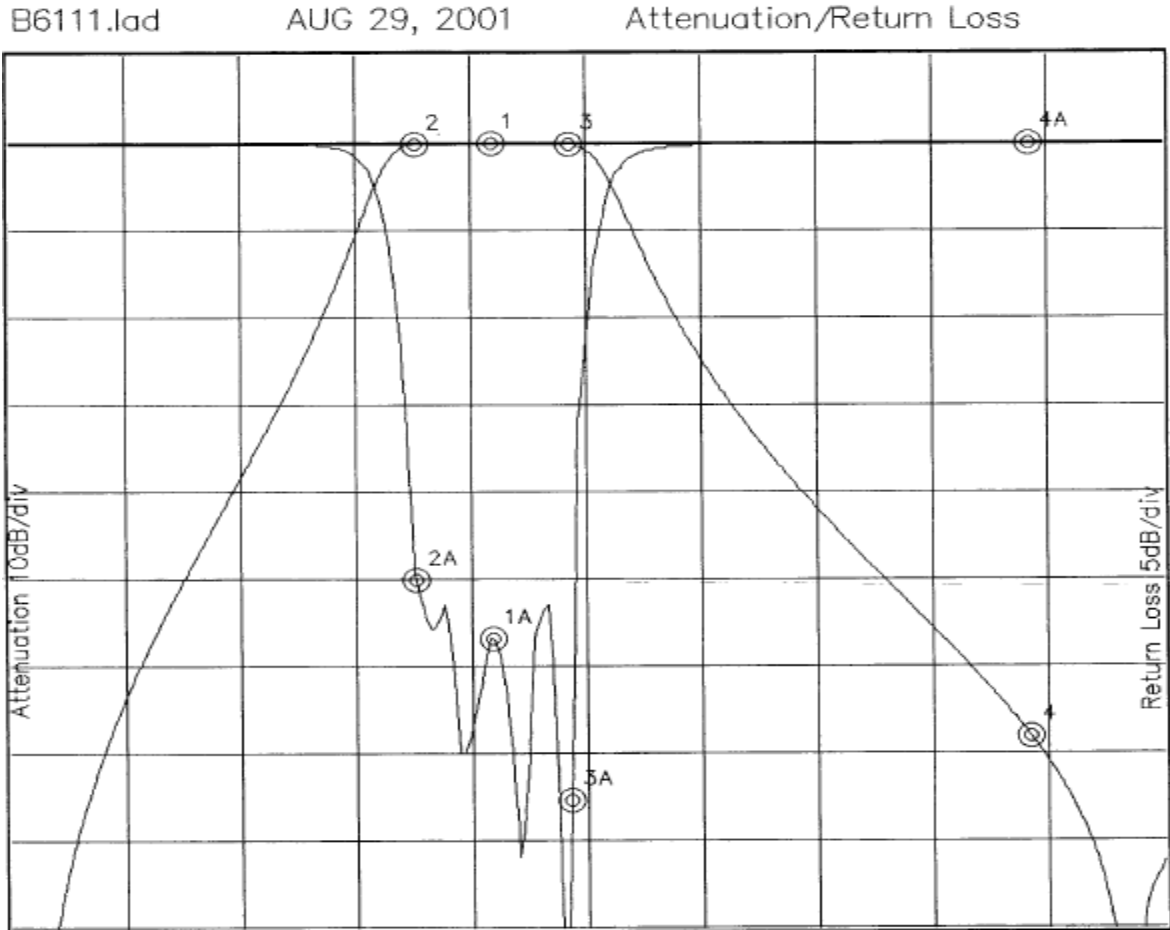
Vibration: 10 G. 5 to 200Hz

Outline Drawing:





Response Plot:



Attenuation Start: 0.003Hz	Stop: 30.0MHz	Return Loss Start: 0.003Hz	Stop: 30.0MHz
Offset -0.4347dB			
Marker 1 Freq 12.504MHz	Atten -0.003dB	Marker 1A Freq 12.504MHz	Ret Loss -28.592dB
Marker 2 Freq 10.517MHz	Atten -0.169dB	Marker 2A Freq 10.517MHz	Ret Loss -25.225dB
Marker 3 Freq 14.540MHz	Atten -0.194dB	Marker 3A Freq 14.540MHz	Ret Loss -37.893dB
Marker 4 Freq 26.510MHz	Atten -68.470dB	Marker 4A Freq 26.510MHz	Ret Loss 0.000dB