



# 8150 MHz Cavity Bandpass Filter

## Part Number: AB8150B1240

**ANATECH ELECTRONICS INC**  
RF & Microwave Filters & Products



### Electrical specifications

**Center Frequency:** 8150MHz  
**Bandwidth:** 500MHz  
**Frequency Range:** 7900~8400MHz  
**Insertion Loss:** =/ $<1.5$ dB  
**Return Loss:** =/ $>14$ dB  
**Rejection:** =/ $>70$ dB@7250MHz  
**Rejection 2:** =/ $>70$ dB@9000MHz  
**Impedance:** 50 Ohms In/Out  
**Power:** 2 W

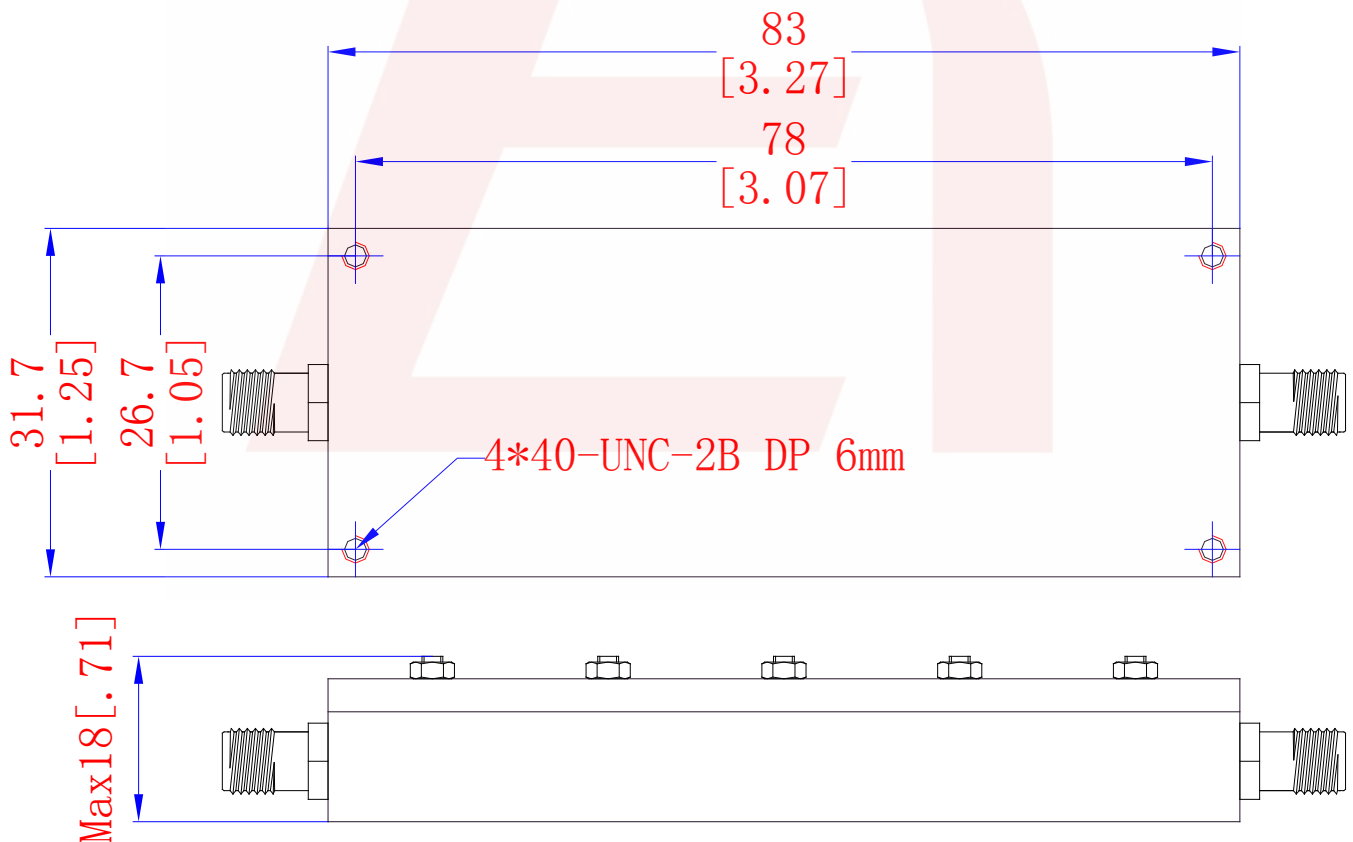
### Mechanical

**Mounting Method:** Threaded Mounting  
**Connector Type:** SMA (F)  
**Dimensions:** 3.27" x 1.25" x 0.71" in  
**Surface Finish:** Black

### Environmental

**Operating Temperature:** -45°C to +85°C  
**Storage Temperature:** -55°C to +100°C

### Outline Drawing:



DS-B1240-03152018-Rev0